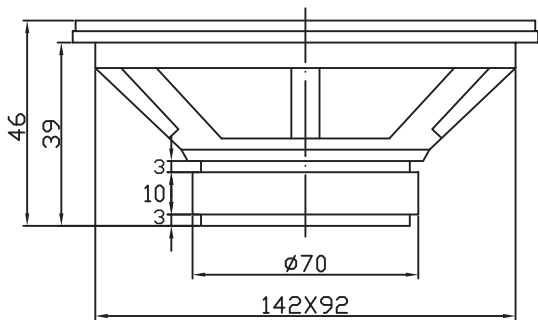
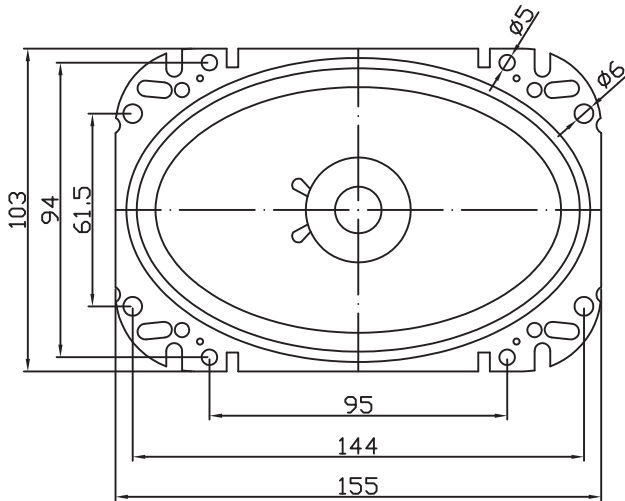




46AS-4
4" X 6" CAR
REPLACEMENT
SPEAKER 4 OHM

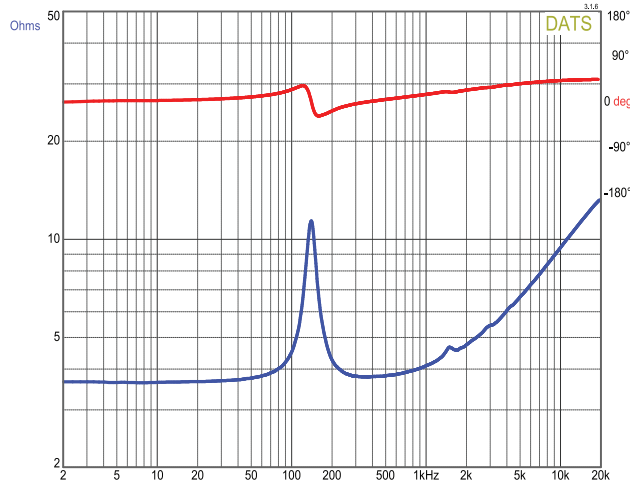
MECHANICAL DRAWING



FEATURES

- Common 4" x 6" size drops into many OEM speaker locations
- Poly cone helps keep unwanted cone resonance under control
- Multiple mounting options fit a wider range of factory locations
- Aluminum voice coil former improves heat dissipation for better power handling
- Mylar whizzer cone extends high-frequency output

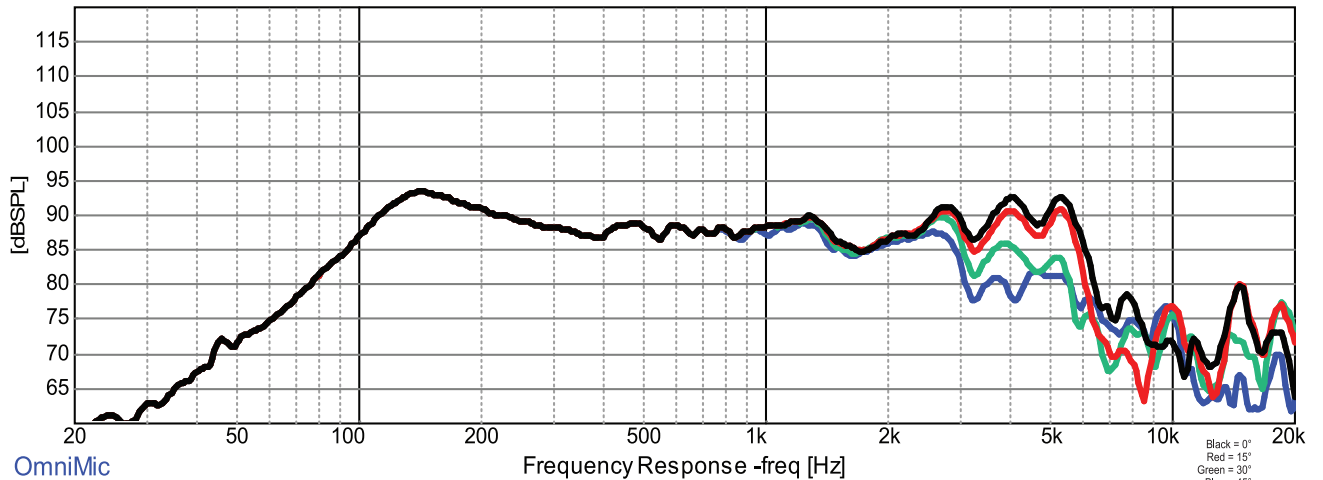
IMPEDANCE/PHASE



PARAMETERS

Impedance:	4 ohms
Re:	3.7 ohms
Le:	0.16 mH
Fs:	140 Hz
Qms:	6.17
Qes:	2.91
Qts:	1.97
Mms:	5.7g
Cms:	0.23 mm/N
Sd:	81 cm ²
Vd:	12.2 cm ³
BL:	2.5 Tm
Vas:	2.12 liters
Xmax:	1.5 mm
VC Diameter:	20 mm
SPL:	88.4 dB@2.83V/1m
RMS Power handling:	25 watts
Usable Frequency Range (Hz):	85 – 6,500 Hz

FREQUENCY RESPONSE



Note: 1/24th octave smoothing - nearfield response included in graph below 450 Hz.