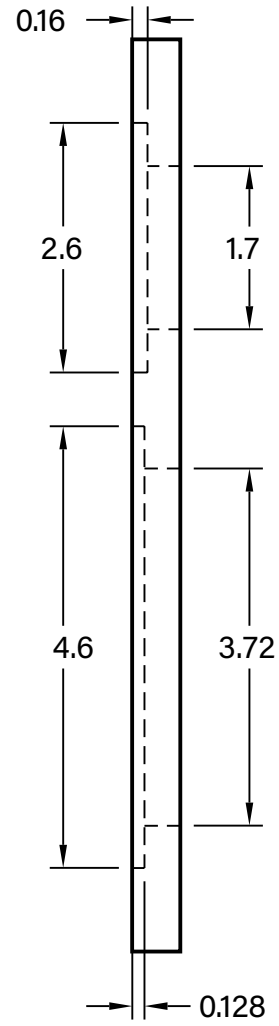
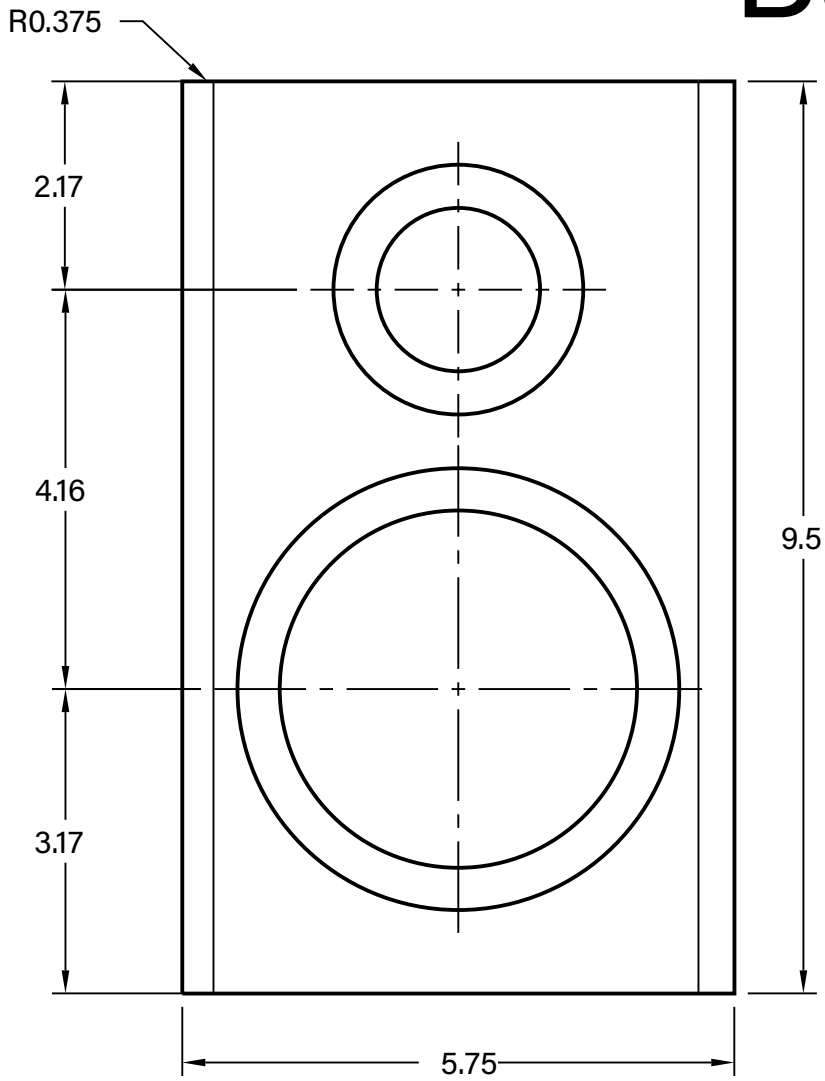
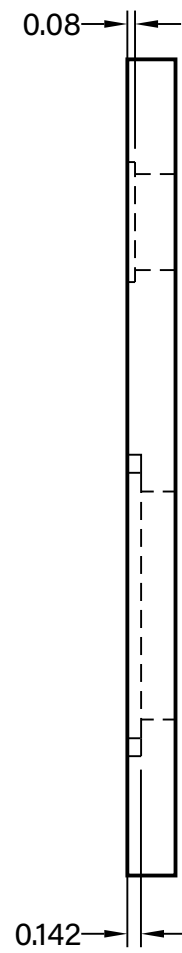
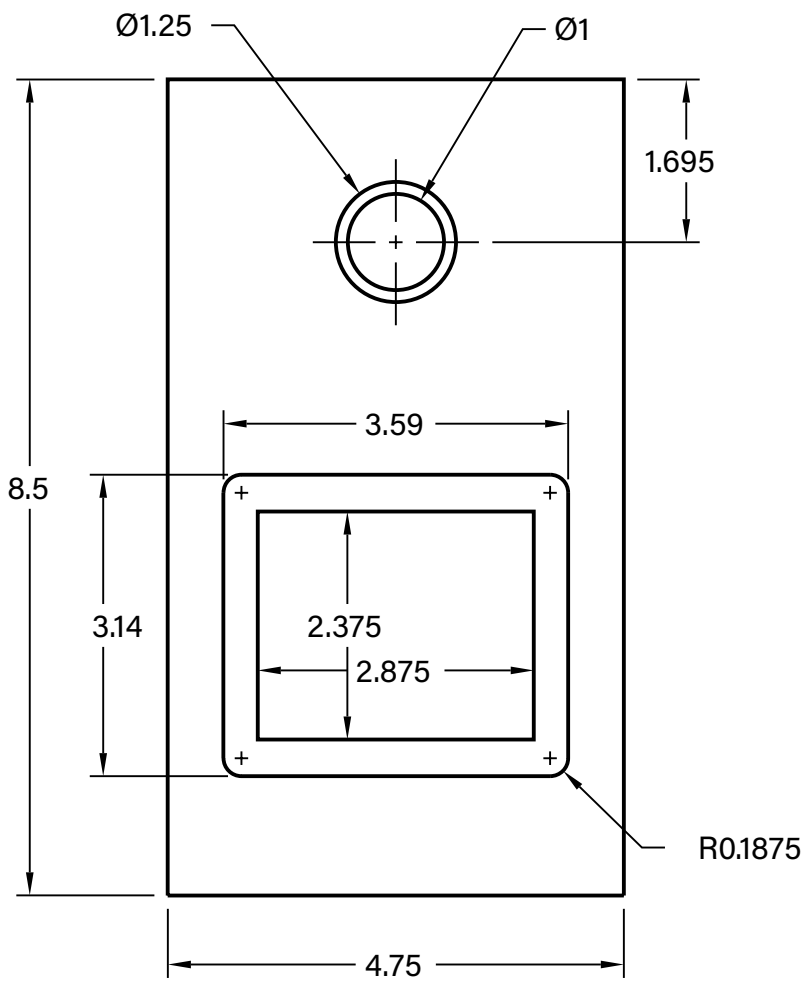


		PROJECT		
		<b>Admin Project</b>		
		TITLE		
		<b>MK KIT Enclosure - Half Inch Material</b>		
APPROVED	SIZE	CODE	DWG NO	REV
CHECKED	B			
DRAWN	Josh Wickersham 2/11/2026	SCALE 1:2	WEIGHT	SHEET 1/4

# Baffle x1

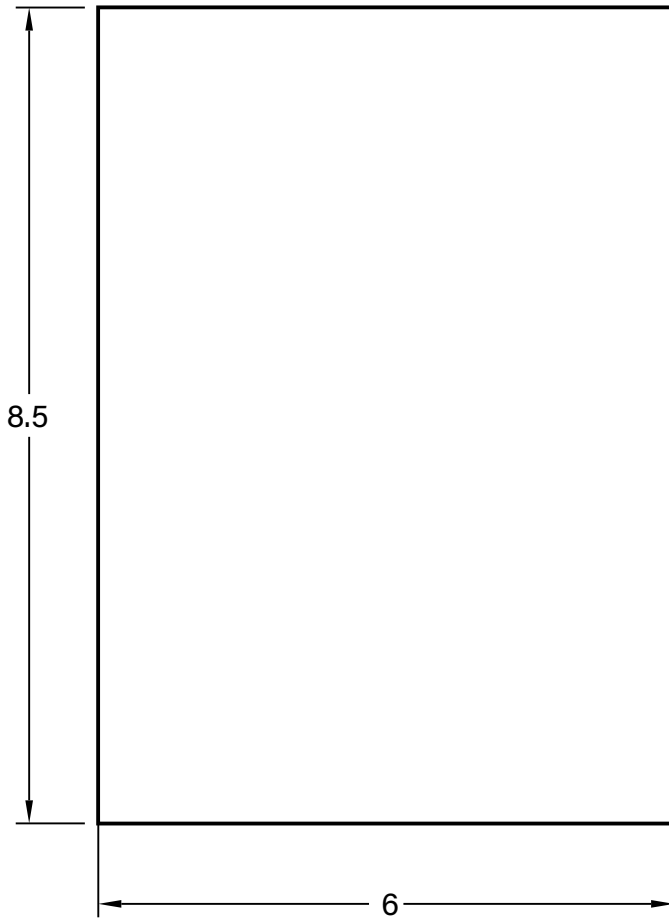


# Back x1

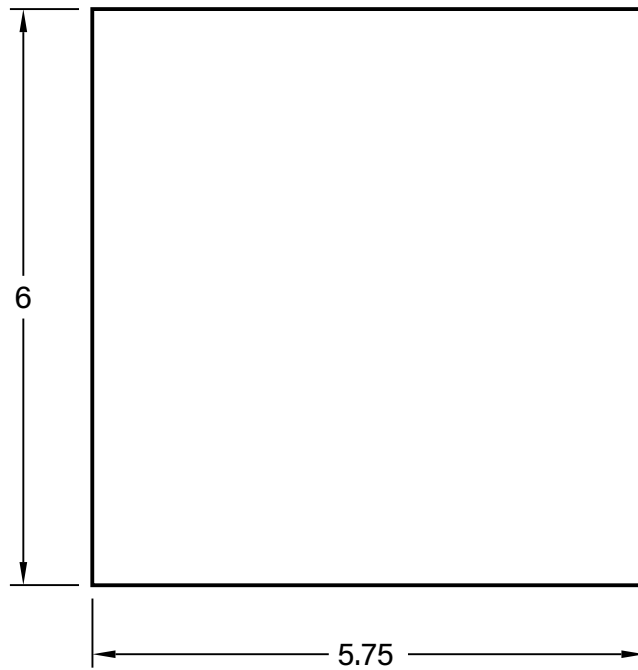


		PROJECT <b>Admin Project</b>		
		TITLE <b>MK KIT Enclosure - Half Inch Material Baffle and Back</b>		
APPROVED	SIZE	CODE	DWG NO	REV
CHECKED	B			
DRAWN	Josh Wickersham 2/11/2026	SCALE 1:2 (From parent)	WEIGHT	SHEET 2/4

# Side x2

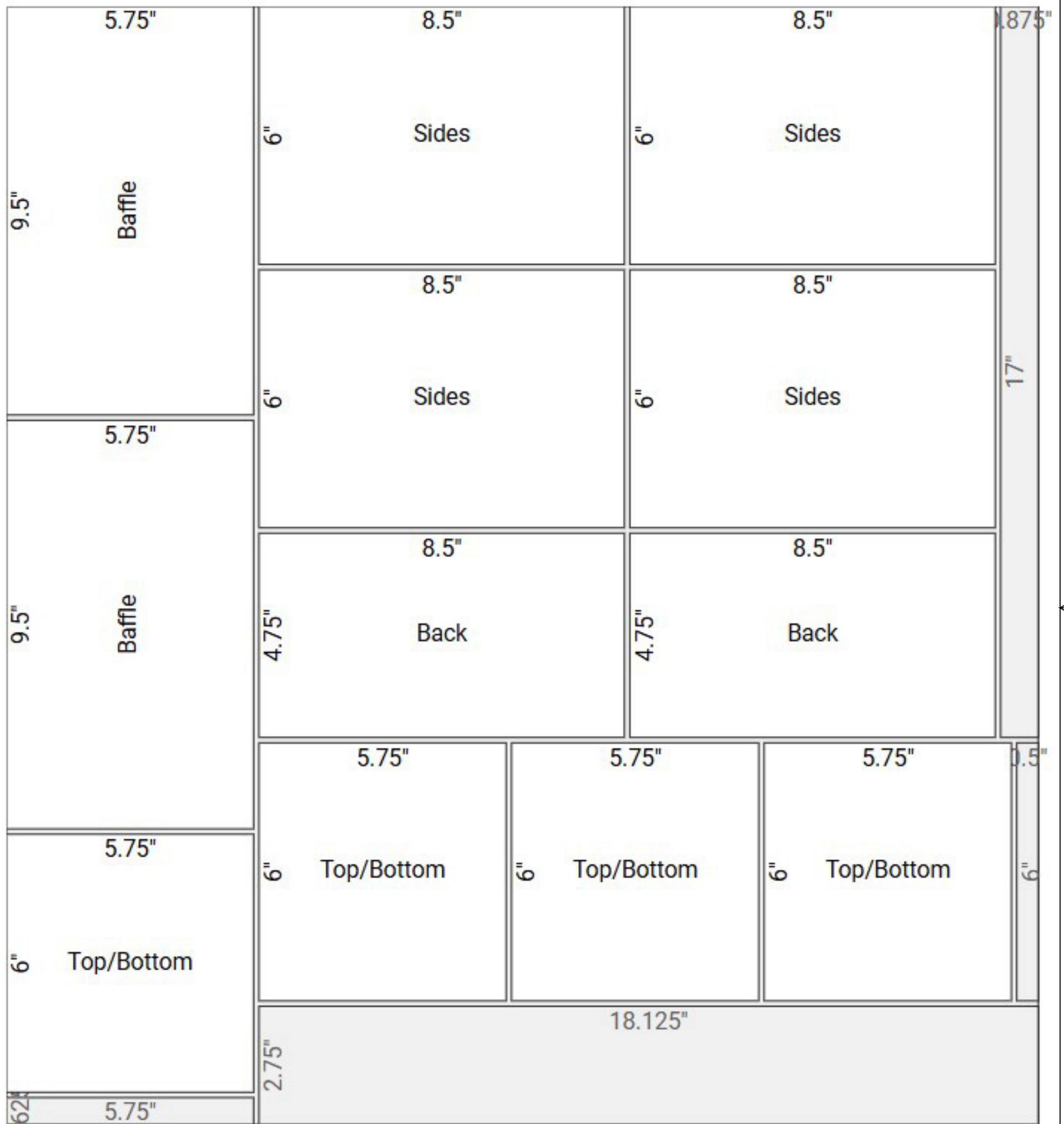


# Top/Bottom x2



	PROJECT			
	Admin Project			
	TITLE			
	MK KIT Enclosure - Half Inch Material Sides and Top/Bottom			
APPROVED	SIZE	CODE	DWG NO	REV
CHECKED	B			
DRAWN	Josh Wickersham 2/11/2026	SCALE 1:2	WEIGHT	SHEET 3/4

# Cut Sheet 24" x 26" Stock



		PROJECT <b>Admin Project</b>		
		TITLE <b>MK KIT Enclosure - Half Inch Material Cut Sheet</b> Using 24" x 26" Stock		
APPROVED	SIZE	CODE	DWG NO	REV
CHECKED	B			
DRAWN	Josh Wickersham 2/11/2026	SCALE	WEIGHT	SHEET 4/4