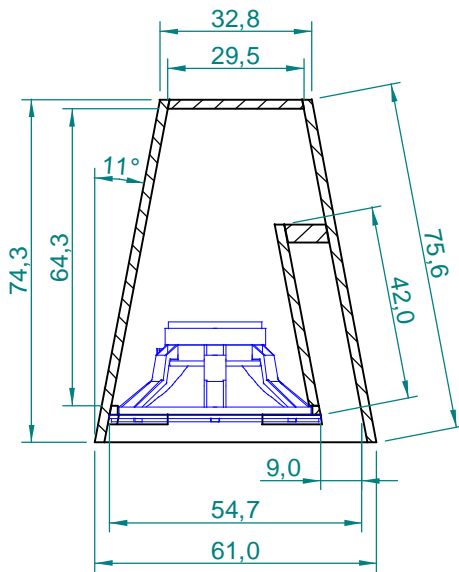
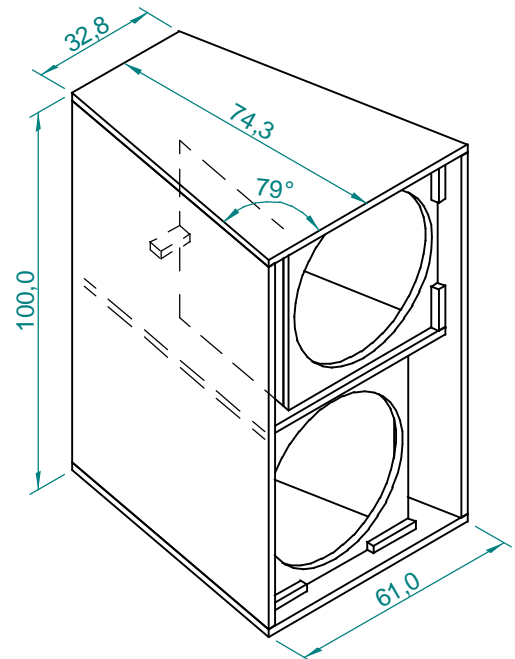


Section A-A

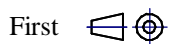


Section B-B



Dimensions in cm.

Projection Angle:



Specifications subject to change without notice.

09/01 - Rev.: 00 - Page: 1/5

F:\CAIXAS ACÚSTICAS\PAS\PAS5\PAS5G1\PAS5G1INGLES

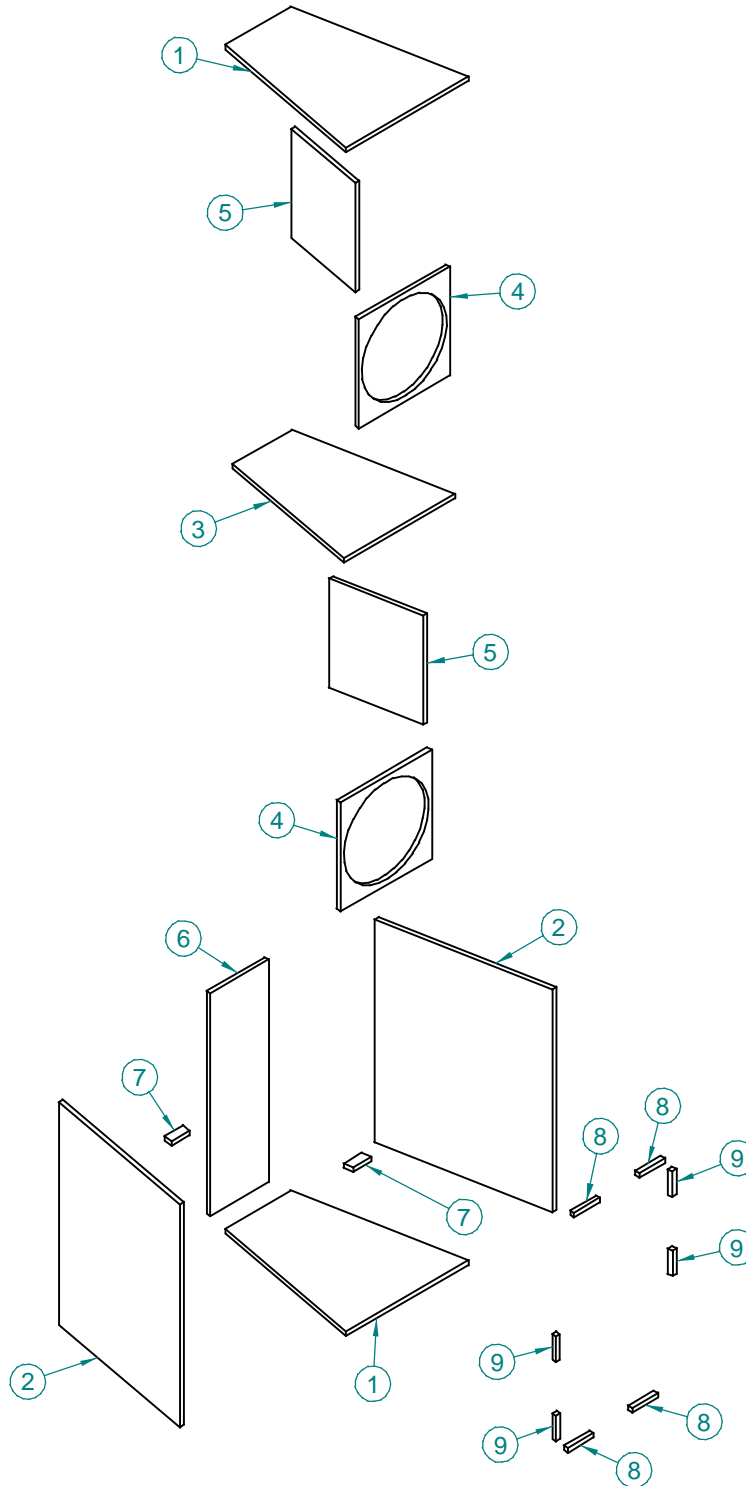
EUROPE Address:
SELENIUM EUROPE
St. Elisabethenstrasse 6
65396 Walluf / Ober-Walluf - Germany
Phone: +(49) 6123 601570
Fax: +(49) 6123 601587
E-mail: sales@selenium-eu.com
URL: www.seleniumloudspeakers.com

USA Address:
SELENIUM LOUDSPEAKER USA
1701 South Park Court, Bldg 102
Chesapeake, VA 23320 - USA
Phone: (757) 424-7516 / (800) 562-0510
Fax: (757) 424-5426
E-mail: export@selenium-usa.com
URL: www.seleniumloudspeakers.com

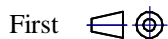
BRAZIL Address:
ELETRÔNICA SELENIUM S.A.
BR 386 Km 435 / 92.480-000
Nova Santa Rita - RS - Brazil
Fax: +(55) 51 479-1120
URL: www.selenium.com.br

Low frequency cabinet, trapezoidal shape, bass-reflex type for use in PA systems with two 18" low frequency driver.

Components:
18SW1P subwoofer or
WPU1805 or WPU1807 woofer (2 pieces)



Projection Angle:



Specifications subject to change without notice.

09/01 - Rev.: 00 - Page: 2/5

F:\CAIXAS ACÚSTICAS\PAS\PAS5\PAS5G1\PAS5G1INGLES

EUROPE Address:
SELENIUM EUROPE
St. Elisabethenstrasse 6
65396 Walluf / Ober-Walluf - Germany
Phone: +(49) 6123 601570
Fax: +(49) 6123 601587
E-mail: sales@selenium-eu.com
URL: www.seleniumloudspeakers.com

USA Address:
SELENIUM LOUDSPEAKER USA
1701 South Park Court, Bldg 102
Chesapeake, VA 23320 - USA
Phone: (757) 424-7516 / (800) 562-0510
Fax: (757) 424-5426
E-mail: export@selenium-usa.com
URL: www.seleniumloudspeakers.com

NOTES:

Net internal volume of the 18" low frequency driver chamber: 97 liters (each).

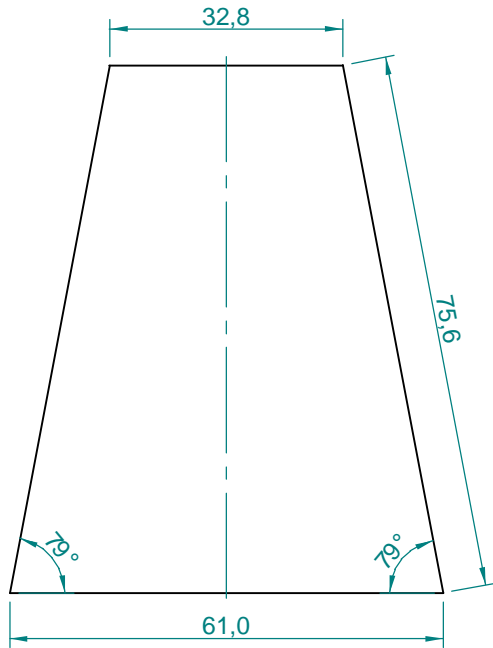
Cut off Frequency:

18" Speaker: Low: 40 Hz.

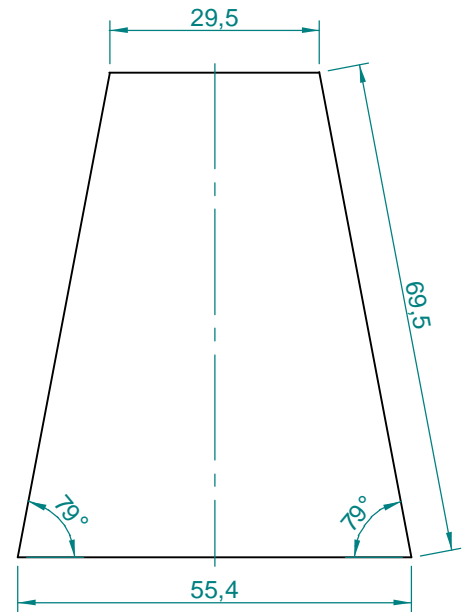
High: should match the low cut off frequency of the next channel enclosure.

Recommended Crossover: Active, Linkwitz-Riley, 24 dB/oct.

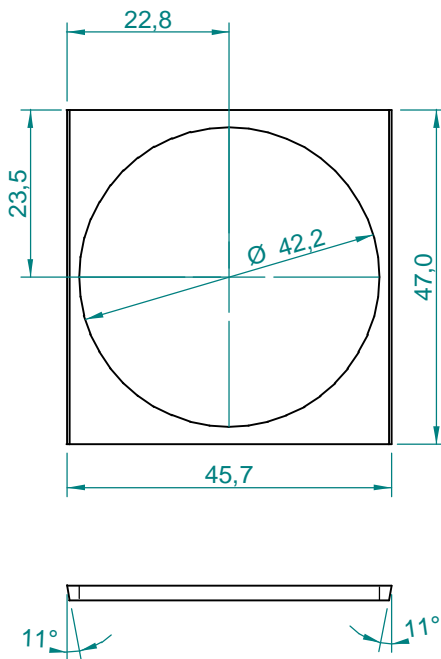
Item	Qty	Description	Material	Notes
1	2	Basis/Cover	Plywood 20 mm	
2	2	Lateral	Plywood 20 mm	
3	1	Partition	Plywood 20 mm	
4	2	Panel	Plywood 20 mm	
5	2	Wall of the Duct	Plywood 20 mm	
6	1	Back	Plywood 20 mm	
7	2	Reinforcement of the Duct	Plywood 20 mm	
8	4	Frame 1	Plywood 20 mm	
9	4	Frame 2	Plywood 20 mm	



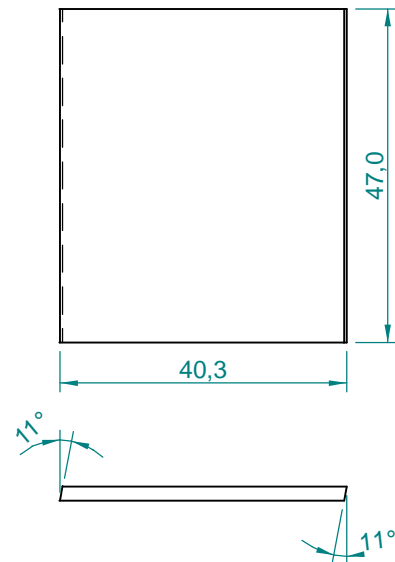
Ítem 1
Qtde: 2 peças



Ítem 3
Qtde: 1 peça



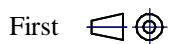
Item 4
Qty: 2 pieces



Item 5
Qty: 2 pieces

Dimensions in cm.

Projection Angle:



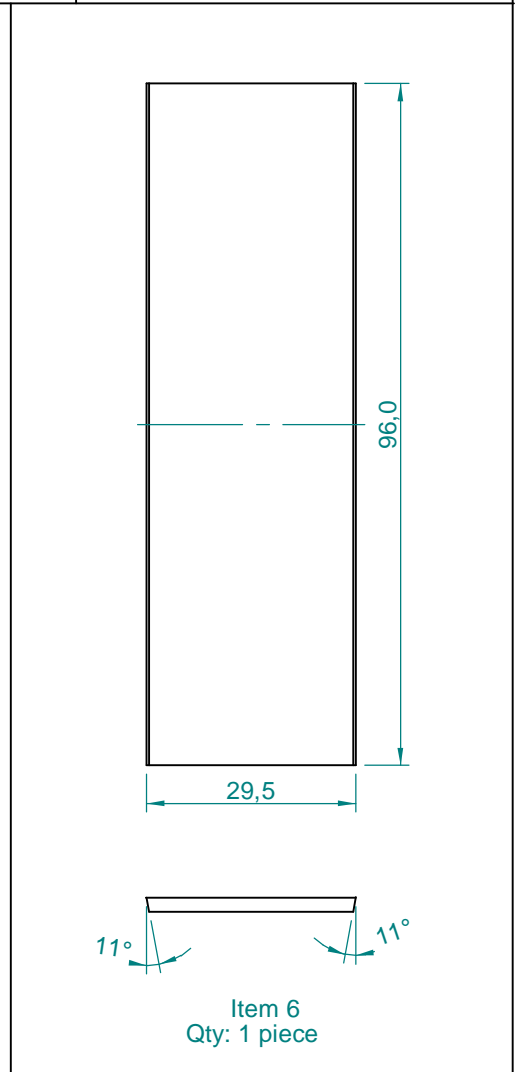
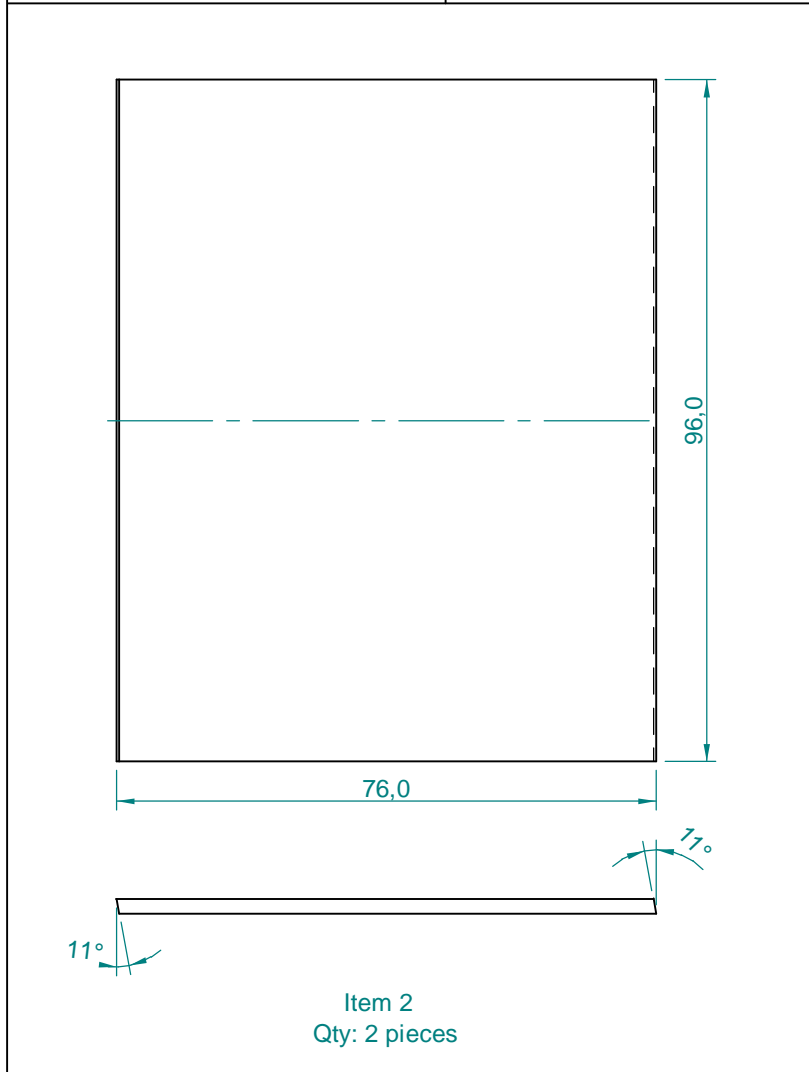
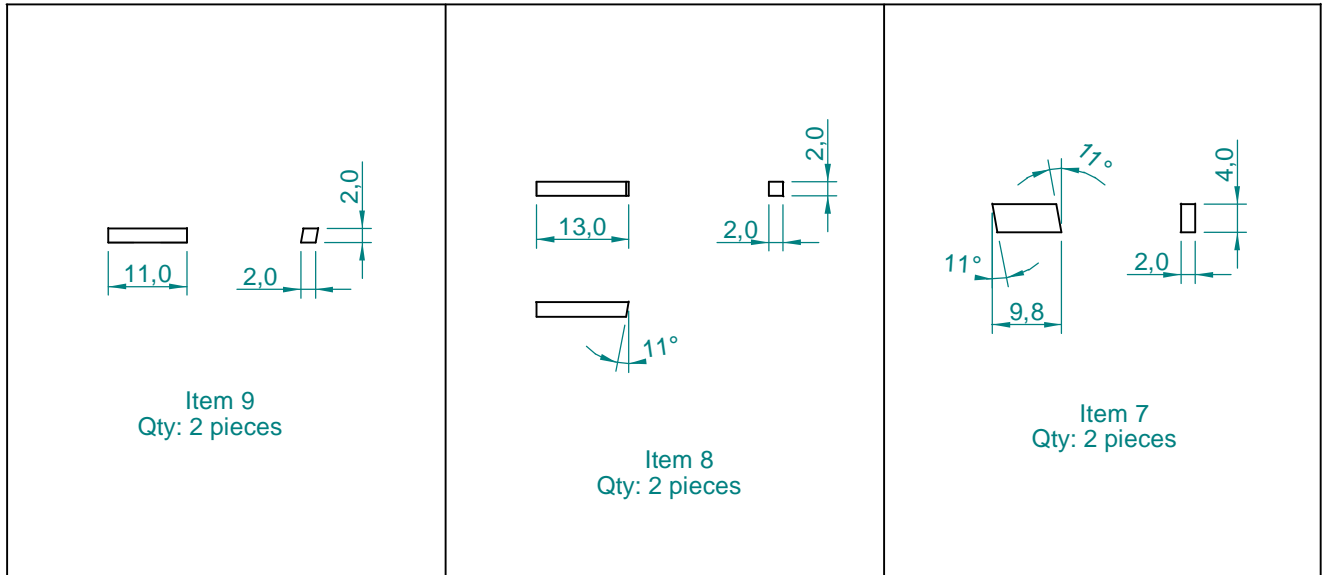
Specifications subject to
change without notice.

09/01 - Rev.: 00 - Page: 4/5

F:\CAIXAS ACÚSTICAS\PAS\PAS5\PAS5G1\PAS5G1ANGLES

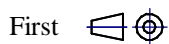
EUROPE Address:
SELENIUM EUROPE
St. Elisabethenstrasse 6
65396 Walluf / Ober-Walluf - Germany
Phone: +(49) 6123 601570
Fax: +(49) 6123 601587
E-mail: sales@selenium-eu.com
URL: www.seleniumloudspeakers.com

USA Address:
SELENIUM LOUDSPEAKER USA
1701 South Park Court, Bldg 102
Chesapeake, VA 23320 - USA
Phone: (757) 424-7516 / (800) 562-0510
Fax: (757) 424-5426
E-mail: export@selenium-usa.com
URL: www.seleniumloudspeakers.com



Dimensions in cm.

Projection Angle:



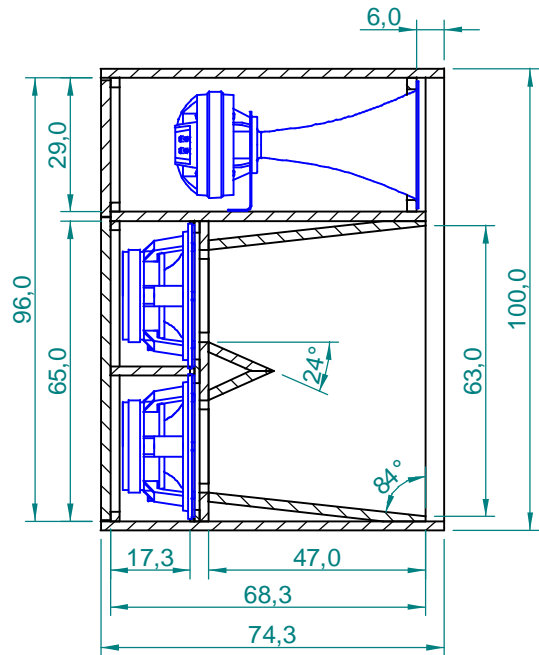
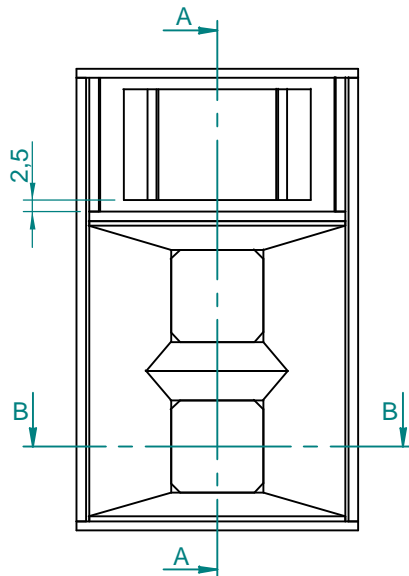
Specifications subject to
change without notice.

09/01 - Rev.: 00 - Page: 5/5

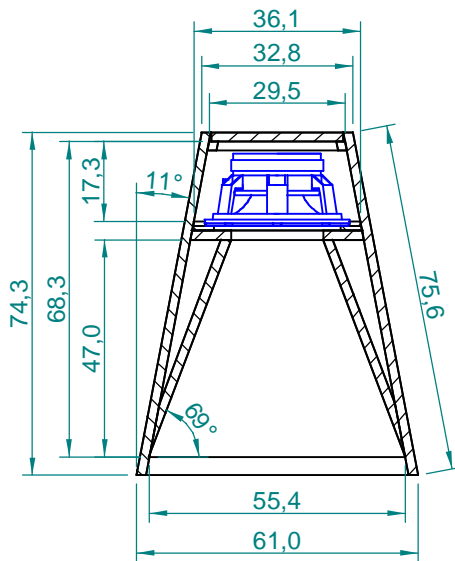
F:\CAIXAS ACÚSTICAS\PAS\PAS5\PAS5G1\PAS5G1ANGLES

EUROPE Address:
SELENIUM EUROPE
St. Elisabethenstrasse 6
65396 Walluf / Ober-Walluf - Germany
Phone: +(49) 6123 601570
Fax: +(49) 6123 601587
E-mail: sales@selenium-eu.com
URL: www.seleniumloudspeakers.com

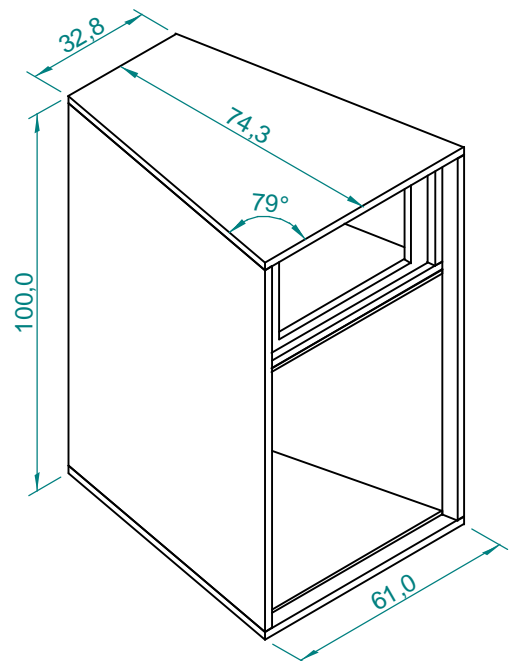
USA Address:
SELENIUM LOUDSPEAKER USA
1701 South Park Court, Bldg 102
Chesapeake, VA 23320 - USA
Phone: (757) 424-7516 / (800) 562-0510
Fax: (757) 424-5426
E-mail: export@selenium-usa.com
URL: www.seleniumloudspeakers.com



Section A-A

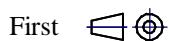


Section B-B



Dimensions in cm.

Projection Angle:



Specifications subject to change without notice.

09/01 - Rev.: 00 - Page: 1/6

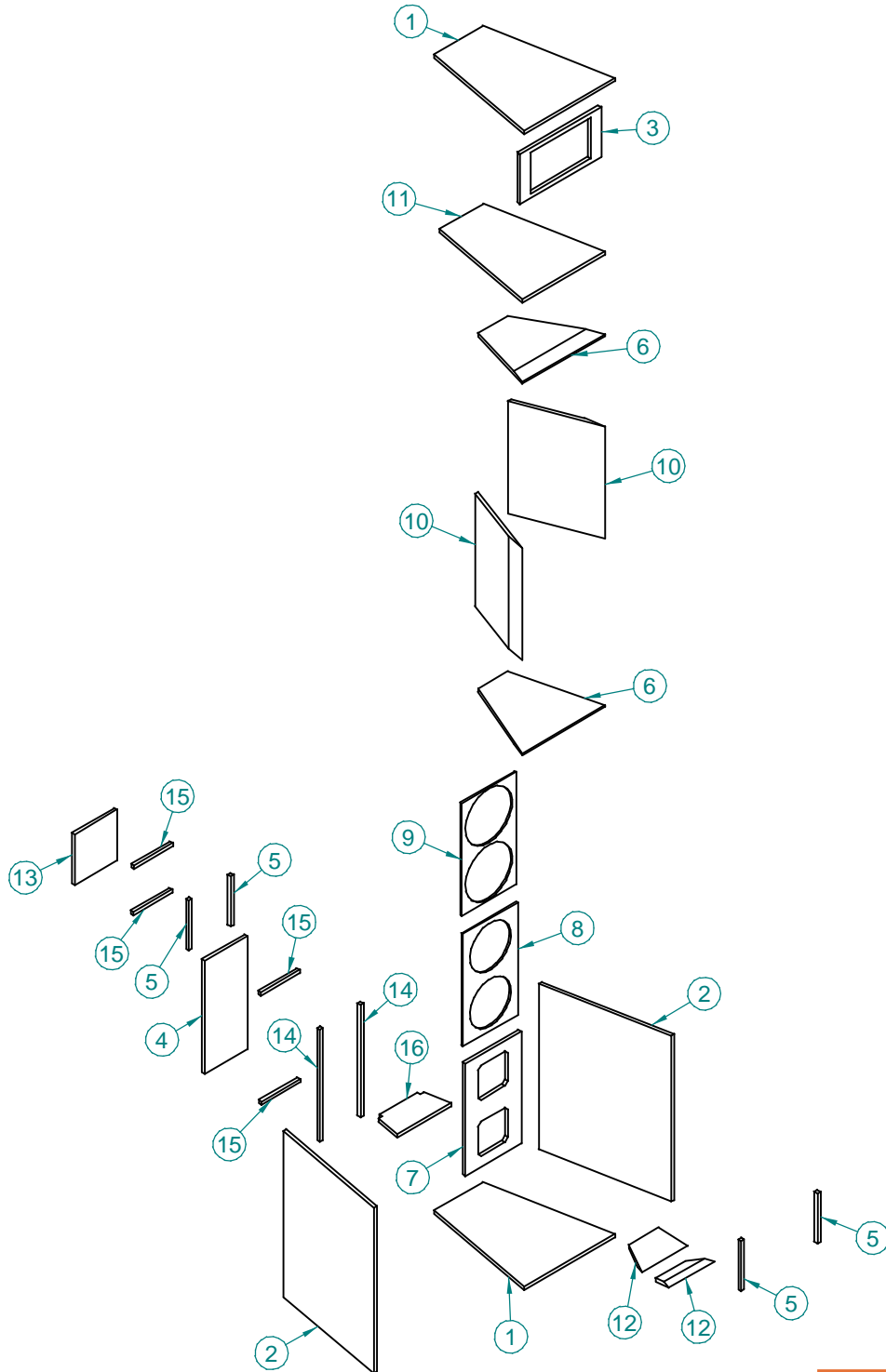
F:\CAIXAS ACÚSTICAS\PAS\PAS5\PAS5MA1\PAS5MA1INGLES

EUROPE Address:
SELENIUM EUROPE
St. Elisabethenstrasse 6
65396 Walluf / Ober-Walluf - Germany
Phone: +(49) 6123 601570
Fax: +(49) 6123 601587
E-mail: sales@selenium-eu.com
URL: www.seleniumloudspeakers.com

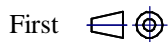
USA Address:
SELENIUM LOUDSPEAKER USA
1701 South Park Court, Bldg 102
Chesapeake, VA 23320 - USA
Phone: (757) 424-7516 / (800) 562-0510
Fax: (757) 424-5426
E-mail: export@selenium-usa.com
URL: www.seleniumloudspeakers.com

Trapezoidal cabinet, two way, horn type, for use in PA systems, with two 12" mid-bass and one titanium compression driver with horn.

Components:
WPU1206 or 12MB1P mid-bass (2 pieces)
D4400Ti or D3300Ti driver (1 piece)
HL47-50R horn (1 piece)



Projection Angle:



Specifications subject to change without notice.

09/01 - Rev.: 00 - Page: 2/6

F:\CAIXAS ACÚSTICAS\PAS\PAS5\PAS5MA1\PAS5MA1ANGLES

EUROPE Address:
SELENIUM EUROPE
St. Elisabethenstrasse 6
65396 Walluf / Ober-Walluf - Germany
Phone: +(49) 6123 601570
Fax: +(49) 6123 601587
E-mail: sales@selenium-eu.com
URL: www.seleniumloudspeakers.com

USA Address:
SELENIUM LOUDSPEAKER USA
1701 South Park Court, Bldg 102
Chesapeake, VA 23320 - USA
Phone: (757) 424-7516 / (800) 562-0510
Fax: (757) 424-5426
E-mail: export@selenium-usa.com
URL: www.seleniumloudspeakers.com

BRAZIL Address:
ELETRÔNICA SELENIUM S.A.
BR 386 Km 435 / 92.480-000
Nova Santa Rita - RS - Brazil
Fax: +(55) 51 479-1120
URL: www.selenium.com.br

NOTES:

Cut off Frequency:

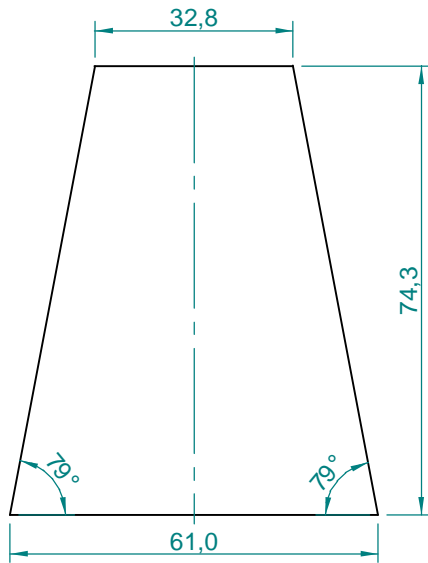
12" Speaker: Low: 200 Hz.
High: 1.200 Hz.

Driver: Low: 1.200 Hz.

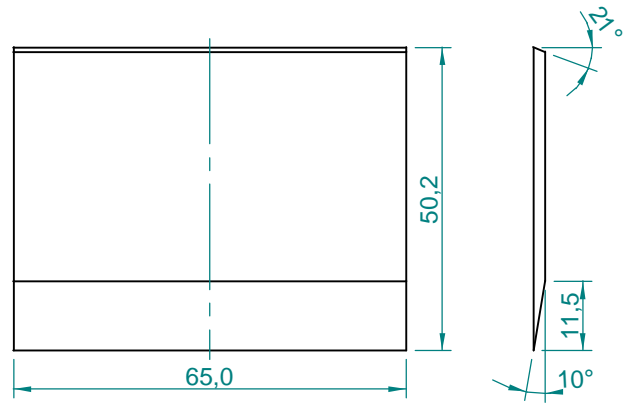
Recommended Crossover: Active, Linkwitz-Riley, 24 dB/oct.

Item	Qty	Description	Material	Notes
1	2	Top/Bottom	Plywood 20 mm	
2	2	Lateral	Plywood 20 mm	
3	1	Panel 1	Plywood 20 mm	
4	1	Rear Panel 1	Plywood 20 mm	
5	4	Frame 1	Plywood 20 mm	
6	2	Ramp 1	Plywood 20 mm	
7	1	Panel 2	Plywood 20 mm	
8	1	Panel 3	Plywood 10 mm	
9	1	Panel 4	Plywood 10 mm	
10	2	Ramp 2	Plywood 20 mm	
11	1	Partition 1	Plywood 20 mm	
12	2	Wedge	Plywood 20 mm	
13	1	Rear Panel 2	Plywood 20 mm	
14	2	Frame 2	Plywood 20 mm	
15	4	Frame 3	Plywood 20 mm	
16	1	Partition 2	Plywood 20 mm	

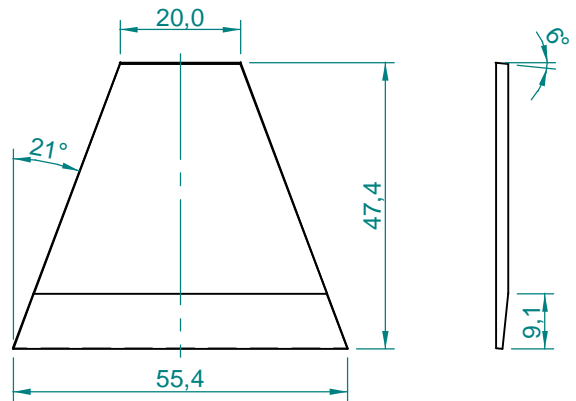
Specifications subject to
change without notice.



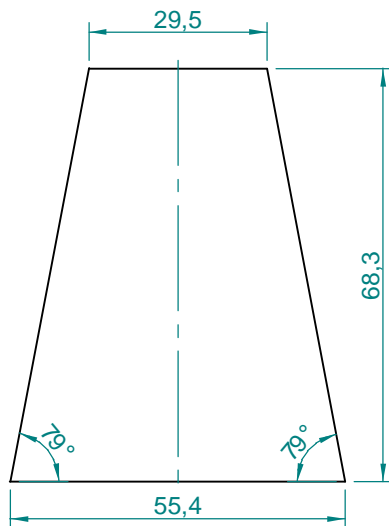
Item 1
Qty: 2 pieces



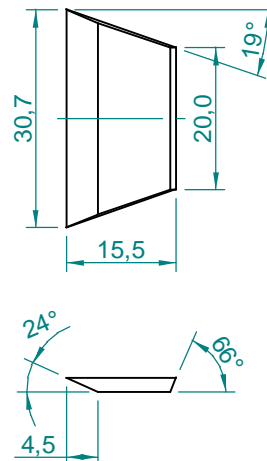
Item 10
Qty: 2 pieces



Item 6
Qty: 2 pieces



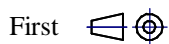
Item 11
Qty: 1 piece



Item 12
Qty: 2 pieces

Dimensions in cm.

Projection Angle:



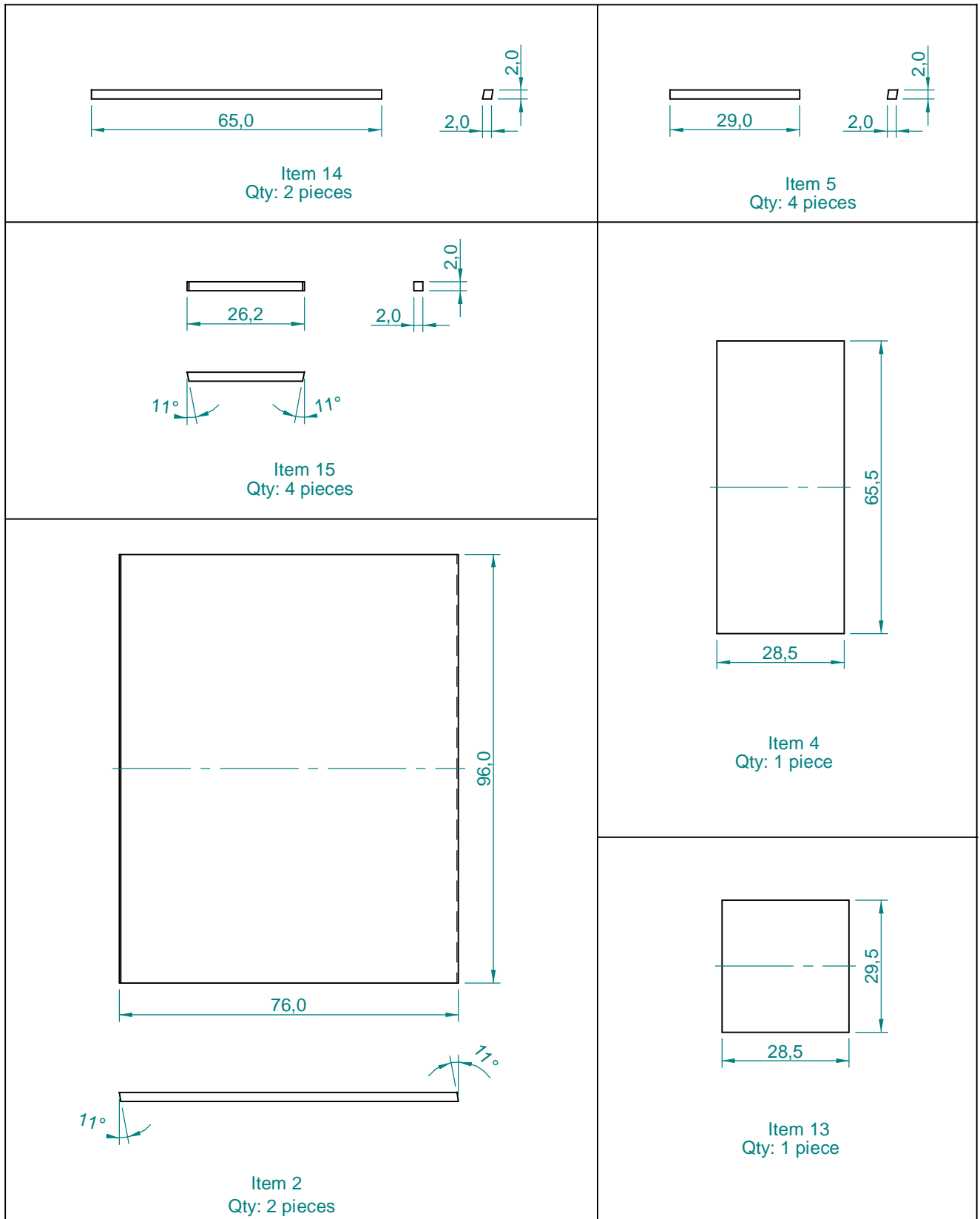
Specifications subject to
change without notice.

09/01 - Rev.: 00 - Page: 4/6

F:\CAIXAS ACÚSTICAS\PAS\PAS5\PAS5MA1\PAS5MA1\ANGLES

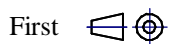
EUROPE Address:
SELENIUM EUROPE
St. Elisabethenstrasse 6
65396 Walluf / Ober-Walluf - Germany
Phone: +(49) 6123 601570
Fax: +(49) 6123 601587
E-mail: sales@selenium-eu.com
URL: www.seleniumloudspeakers.com

USA Address:
SELENIUM LOUDSPEAKER USA
1701 South Park Court, Bldg 102
Chesapeake, VA 23320 - USA
Phone: (757) 424-7516 / (800) 562-0510
Fax: (757) 424-5426
E-mail: export@selenium-usa.com
URL: www.seleniumloudspeakers.com



Dimensions in cm.

Projection Angle:



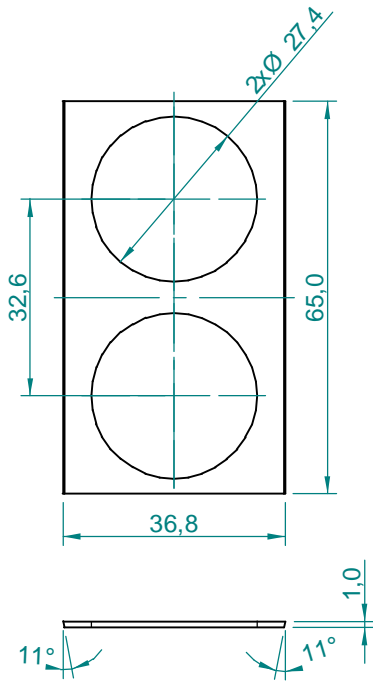
Specifications subject to change without notice.

09/01 - Rev.: 00 - Page: 5/6

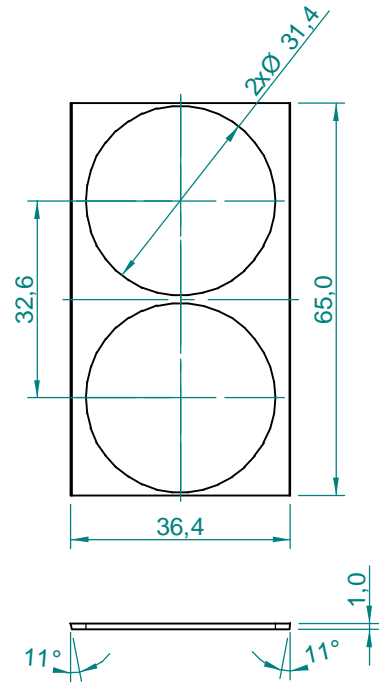
F:\CAIXAS ACÚSTICAS\PAS\PAS5\PAS5MA1\PAS5MA1ANGLES

EUROPE Address:
SELENIUM EUROPE
St. Elisabethenstrasse 6
65396 Walluf / Ober-Walluf - Germany
Phone: +(49) 6123 601570
Fax: +(49) 6123 601587
E-mail: sales@selenium-eu.com
URL: www.seleniumloudspeakers.com

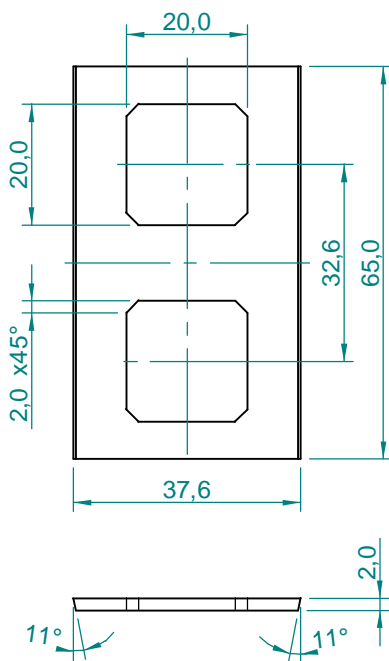
USA Address:
SELENIUM LOUDSPEAKER USA
1701 South Park Court, Bldg 102
Chesapeake, VA 23320 - USA
Phone: (757) 424-7516 / (800) 562-0510
Fax: (757) 424-5426
E-mail: export@selenium-usa.com
URL: www.seleniumloudspeakers.com



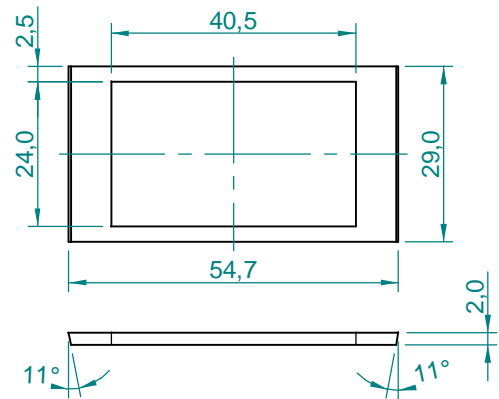
Item 8
Qty: 1 piece



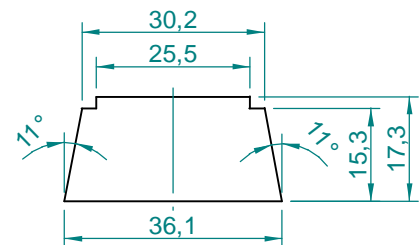
Item 9
Qty: 1 piece



Item 7
Qty: 1 piece



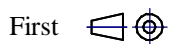
Item 3
Qty: 1 piece



Item 16
Qty: 1 piece

Dimensions in cm.

Projection Angle:



Specifications subject to
change without notice.

09/01 - Rev.: 00 - Page: 6/6

F:\CAIXAS ACÚSTICAS\PAS\PAS5\PAS5MA1\PAS5MA1\INGLES

EUROPE Address:
SELENIUM EUROPE
St. Elisabethenstrasse 6
65396 Walluf / Ober-Walluf - Germany
Phone: +(49) 6123 601570
Fax: +(49) 6123 601587
E-mail: sales@selenium-eu.com
URL: www.seleniumloudspeakers.com

USA Address:
SELENIUM LOUDSPEAKER USA
1701 South Park Court, Bldg 102
Chesapeake, VA 23320 - USA
Phone: (757) 424-7516 / (800) 562-0510
Fax: (757) 424-5426
E-mail: export@selenium-usa.com
URL: www.seleniumloudspeakers.com

SELENIUM
LOUDSPEAKERS

BRAZIL Address:
ELETRÔNICA SELENIUM S.A.
BR 386 Km 435 / 92.480-000
Nova Santa Rita - RS - Brazil
Fax: +(55) 51 479-1120
URL: www.selenium.com.br