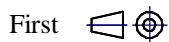


Dimensions in cm.

Projection Angle:



Specifications subject to change without notice.

09/01 - Rev.: 00 - Page: 1/5

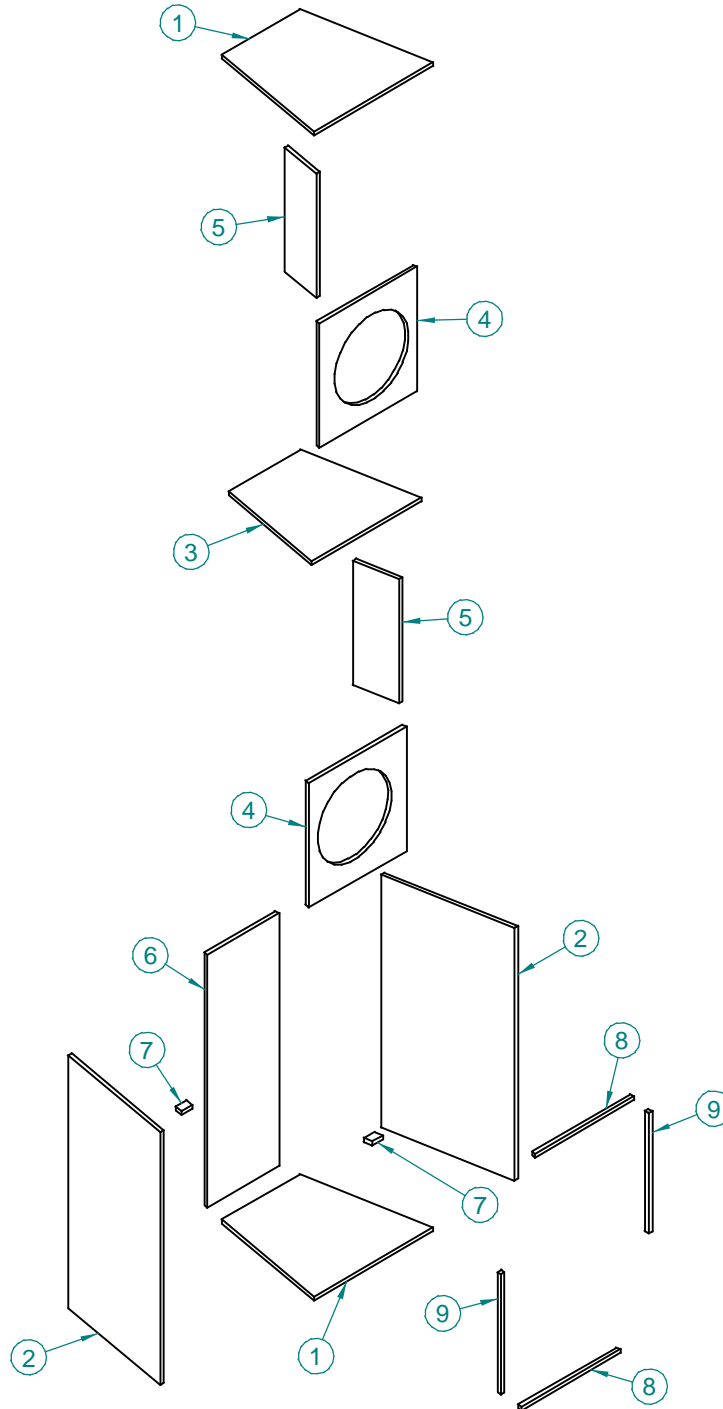
F:\CAIXAS ACÚSTICAS\PAS\PAS2\PAS2G1\PAS2G1\INGLES

EUROPE Address:
SELENIUM EUROPE
St. Elisabethenstrasse 6
65396 Walluf / Ober-Walluf - Germany
Phone: +(49) 6123 601570
Fax: +(49) 6123 601587
E-mail: sales@selenium-eu.com
URL: www.seleniumloudspeakers.com

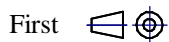
USA Address:
SELENIUM LOUDSPEAKER USA
1701 South Park Court, Bldg 102
Chesapeake, VA 23320 - USA
Phone: (757) 424-7516 / (800) 562-0510
Fax: (757) 424-5426
E-mail: export@selenium-usa.com
URL: www.seleniumloudspeakers.com

Low frequency cabinet, trapezoidal shape, bass-reflex type for use in PA systems with two 18" low frequency driver.

Components:
18SW1P subwoofer or
WPU1805 or WPU1807 woofer (2 pieces)



Projection Angle:



Specifications subject to change without notice.

09/01 - Rev.: 00 - Page: 2/5

F:\CAIXAS ACÚSTICAS\PAS\PAS2\PAS2G1\PAS2G1INGLES

EUROPE Address:
SELENIUM EUROPE
St. Elisabethenstrasse 6
65396 Walluf / Ober-Walluf - Germany
Phone: +(49) 6123 601570
Fax: +(49) 6123 601587
E-mail: sales@selenium-eu.com
URL: www.seleniumloudspeakers.com

USA Address:
SELENIUM LOUDSPEAKER USA
1701 South Park Court, Bldg 102
Chesapeake, VA 23320 - USA
Phone: (757) 424-7516 / (800) 562-0510
Fax: (757) 424-5426
E-mail: export@selenium-usa.com
URL: www.seleniumloudspeakers.com

SELENIUM
LOUDSPEAKERS

BRAZIL Address:
ELETRÔNICA SELENIUM S.A.
BR 386 Km 435 / 92.480-000
Nova Santa Rita - RS - Brazil
Fax: +(55) 51 479-1120
URL: www.selenium.com.br

NOTES:

Net internal volume of the 18" low frequency driver chamber: 150 liters (each).

Cut off Frequency:

18" Speaker: Low: 40 Hz.

High: should match the low cut off frequency of the next channel enclosure.

Recommended Crossover: Active, Linkwitz-Riley, 24 dB/oct.

Item	Qty	Description	Material	Notes
1	2	Top/Botton	Plywood 20 mm	
2	2	Lateral	Plywood 20 mm	
3	1	Partition	Plywood 20 mm	
4	2	Front Panel	Plywood 20 mm	
5	2	Duct Wall	Plywood 20 mm	
6	1	Back	Plywood 20 mm	
7	2	Duct Reinforcement	Plywood 20 mm	
8	2	Frame 1	Plywood 20 mm	
9	2	Frame 2	Plywood 20 mm	

Specifications subject to
change without notice.

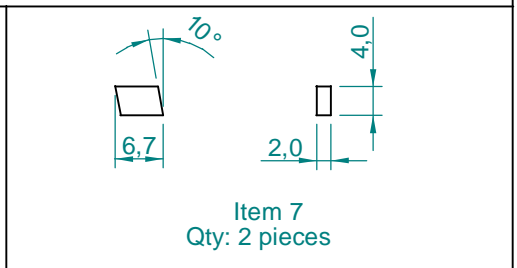
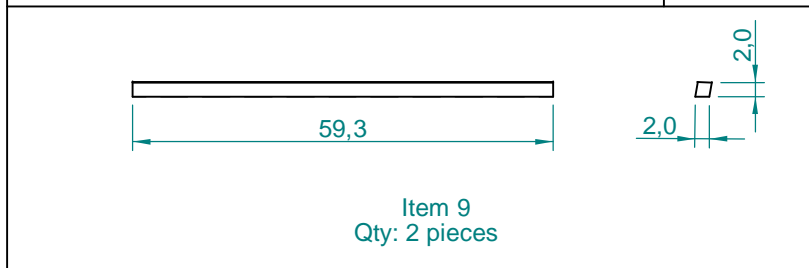
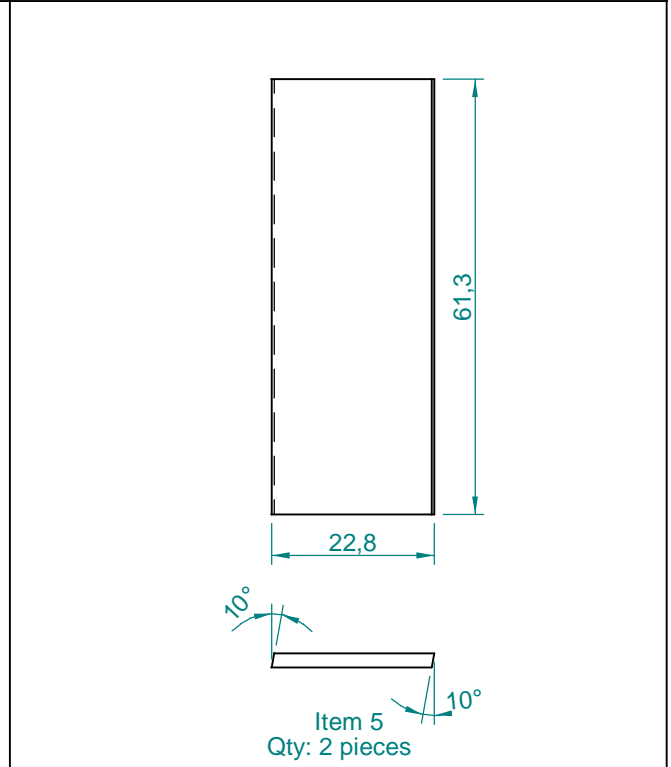
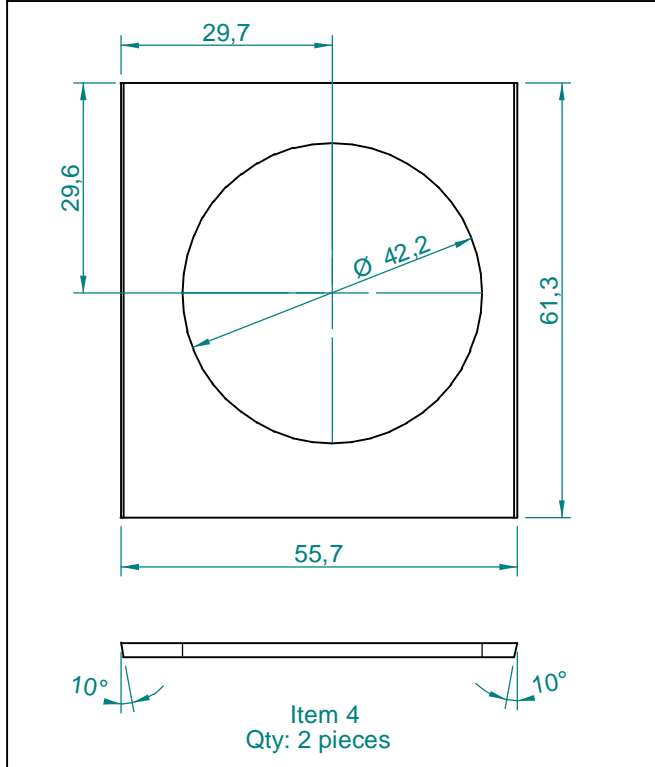
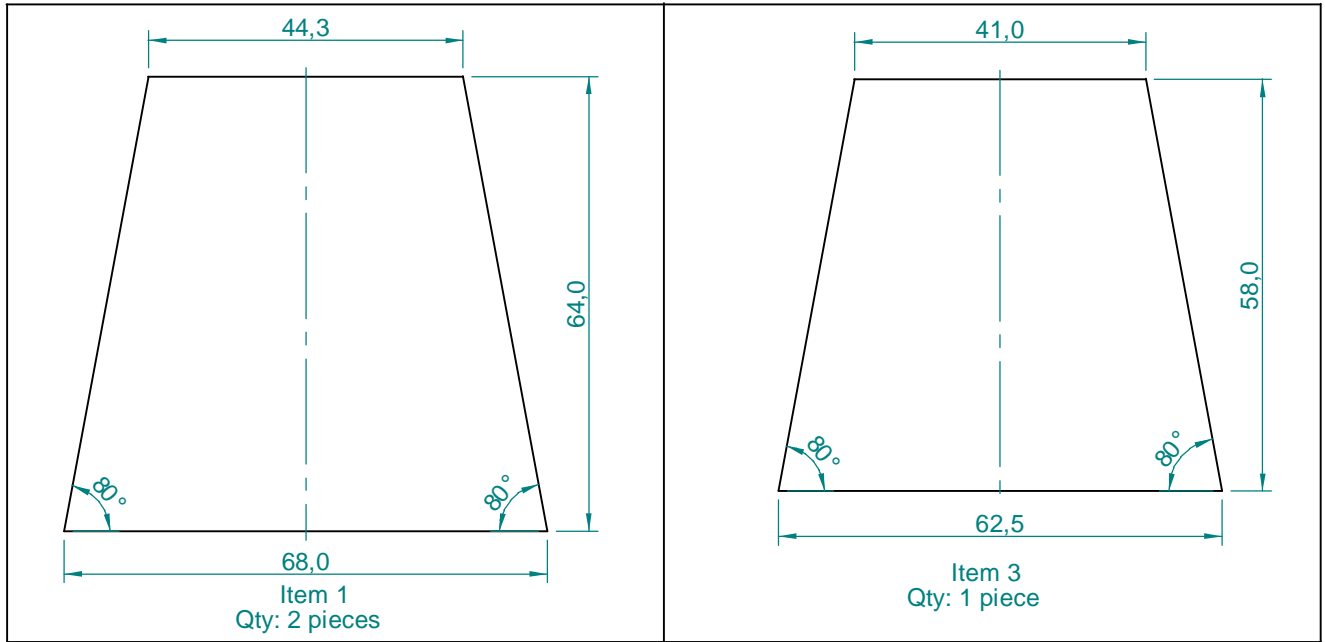
09/01 - Rev.: 00 - Page: 3/5

F:\CAIXAS ACÚSTICAS\PAS\PAS2\PAS2G1\PAS2G1INGLES

EUROPE Address:
SELENIUM EUROPE
St. Elisabethenstrasse 6
65396 Walluf / Ober-Walluf - Germany
Phone: +(49) 6123 601570
Fax: +(49) 6123 601587
E-mail: sales@selenium-eu.com
URL: www.seleniumloudspeakers.com

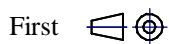
USA Address:
SELENIUM LOUDSPEAKER USA
1701 South Park Court, Bldg 102
Chesapeake, VA 23320 - USA
Phone: (757) 424-7516 / (800) 562-0510
Fax: (757) 424-5426
E-mail: export@selenium-usa.com
URL: www.seleniumloudspeakers.com

BRAZIL Address:
ELETRÔNICA SELENIUM S.A.
BR 386 Km 435 / 92.480-000
Nova Santa Rita - RS - Brazil
Fax: +(55) 51 479-1120
URL: www.selenium.com.br



Dimensions in cm.

Projection Angle:



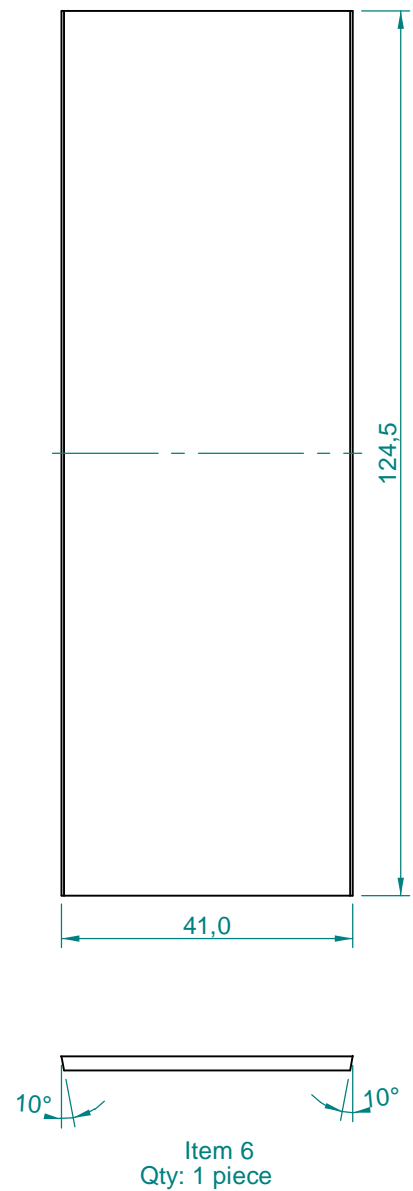
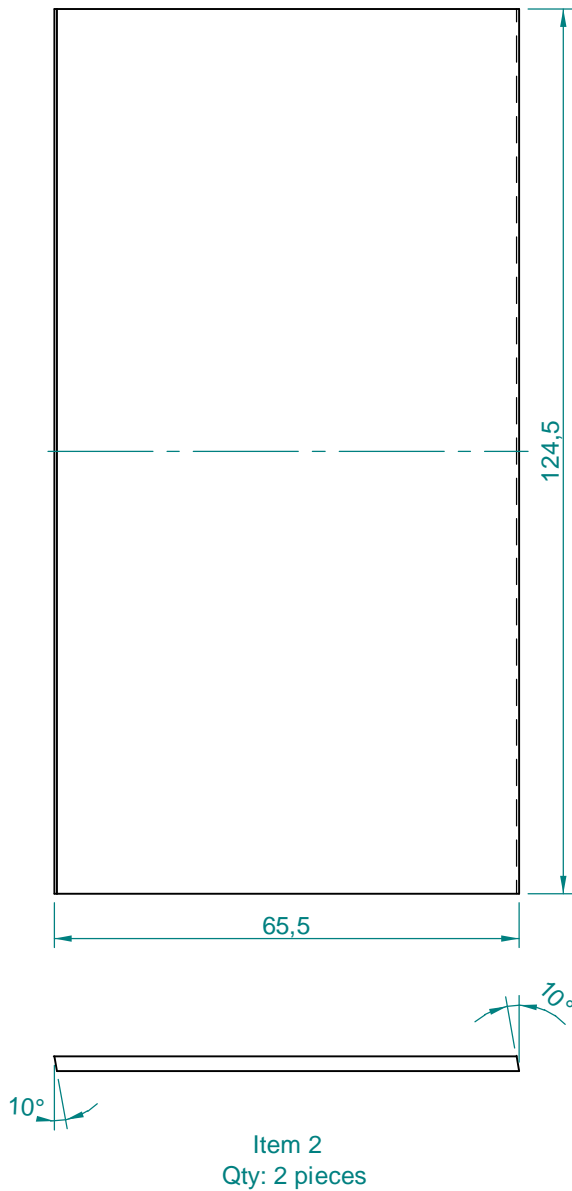
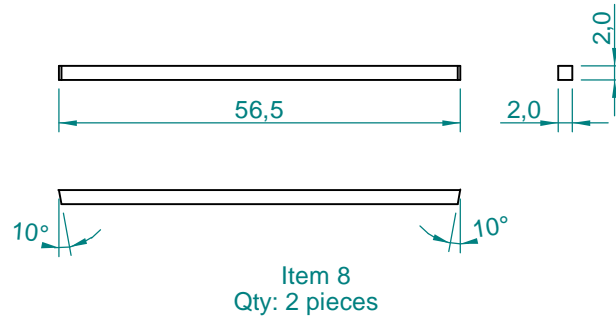
Specifications subject to change without notice.

09/01 - Rev.: 00 - Page: 4/5

F:\CAIXAS ACÚSTICAS\PAS\PAS2\PAS2G1\PAS2G1\INGLES

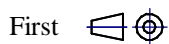
EUROPE Address:
SELENIUM EUROPE
St. Elisabethenstrasse 6
65396 Walluf / Ober-Walluf - Germany
Phone: +(49) 6123 601570
Fax: +(49) 6123 601587
E-mail: sales@selenium-eu.com
URL: www.seleniumloudspeakers.com

USA Address:
SELENIUM LOUDSPEAKER USA
1701 South Park Court, Bldg 102
Chesapeake, VA 23320 - USA
Phone: (757) 424-7516 / (800) 562-0510
Fax: (757) 424-5426
E-mail: export@selenium-usa.com
URL: www.seleniumloudspeakers.com



Dimensions in cm.

Projection Angle:



Specifications subject to change without notice.

09/01 - Rev.: 00 - Page: 5/5

F:\CAIXAS ACÚSTICAS\PAS\PAS2\PAS2G1\PAS2G1\INGLES

EUROPE Address:
SELENIUM EUROPE
St. Elisabethenstrasse 6
65396 Walluf / Ober-Walluf - Germany
Phone: +(49) 6123 601570
Fax: +(49) 6123 601587
E-mail: sales@selenium-eu.com
URL: www.seleniumloudspeakers.com

USA Address:
SELENIUM LOUDSPEAKER USA
1701 South Park Court, Bldg 102
Chesapeake, VA 23320 - USA
Phone: (757) 424-7516 / (800) 562-0510
Fax: (757) 424-5426
E-mail: export@selenium-usa.com
URL: www.seleniumloudspeakers.com