

Dimensions in cm.

Projection Angle:

First

Specifications subject to change without notice.

09/01 - Rev.: 00 - Page: 1/5

F:\CAIXAS ACÚSTICAS\PAS\PAS2\PAS2G1\PAS2G1\INGLES

EUROPE Address:  
**SELENIUM EUROPE**  
St. Elisabethenstrasse 6  
65396 Walluf / Ober-Walluf - Germany  
Phone: +(49) 6123 601570  
Fax: +(49) 6123 601587  
E-mail: sales@selenium-eu.com  
URL: www.seleniumloudspeakers.com

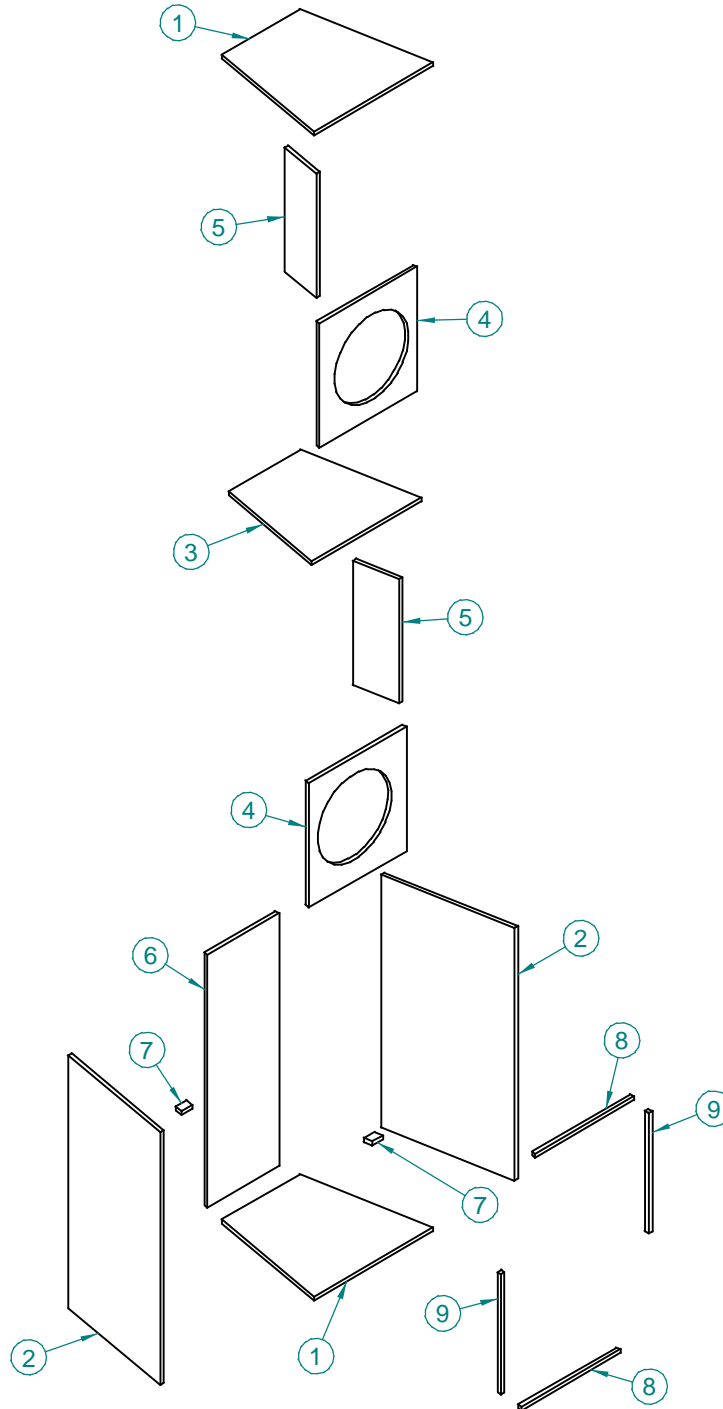
USA Address:  
**SELENIUM LOUDSPEAKER USA**  
1701 South Park Court, Bldg 102  
Chesapeake, VA 23320 - USA  
Phone: (757) 424-7516 / (800) 562-0510  
Fax: (757) 424-5426  
E-mail: export@selenium-usa.com  
URL: www.seleniumloudspeakers.com

**SELENIUM**  
LOUDSPEAKERS

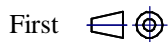
BRAZIL Address:  
**ELETRÔNICA SELENIUM S.A.**  
BR 386 Km 435 / 92.480-000  
Nova Santa Rita - RS - Brazil  
Fax: +(55) 51 479-1120  
URL: www.selenium.com.br

Low frequency cabinet, trapezoidal shape, bass-reflex type for use in PA systems with two 18" low frequency driver.

Components:  
18SW1P subwoofer or  
WPU1805 or WPU1807 woofer (2 pieces)



Projection Angle:



Specifications subject to change without notice.

09/01 - Rev.: 00 - Page: 2/5

F:\CAIXAS ACÚSTICAS\PAS\PAS2\PAS2G1\PAS2G1INGLES

EUROPE Address:  
**SELENIUM EUROPE**  
St. Elisabethenstrasse 6  
65396 Walluf / Ober-Walluf - Germany  
Phone: +(49) 6123 601570  
Fax: +(49) 6123 601587  
E-mail: sales@selenium-eu.com  
URL: www.seleniumloudspeakers.com

USA Address:  
**SELENIUM LOUDSPEAKER USA**  
1701 South Park Court, Bldg 102  
Chesapeake, VA 23320 - USA  
Phone: (757) 424-7516 / (800) 562-0510  
Fax: (757) 424-5426  
E-mail: export@selenium-usa.com  
URL: www.seleniumloudspeakers.com

NOTES:

Net internal volume of the 18" low frequency driver chamber: 150 liters (each).

Cut off Frequency:

18" Speaker: Low: 40 Hz.

High: should match the low cut off frequency of the next channel enclosure.

Recommended Crossover: Active, Linkwitz-Riley, 24 dB/oct.

Item	Qty	Description	Material	Notes
1	2	Top/Botton	Plywood 20 mm	
2	2	Lateral	Plywood 20 mm	
3	1	Partition	Plywood 20 mm	
4	2	Front Panel	Plywood 20 mm	
5	2	Duct Wall	Plywood 20 mm	
6	1	Back	Plywood 20 mm	
7	2	Duct Reinforcement	Plywood 20 mm	
8	2	Frame 1	Plywood 20 mm	
9	2	Frame 2	Plywood 20 mm	

Specifications subject to  
change without notice.

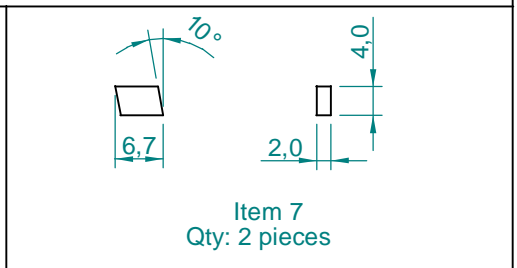
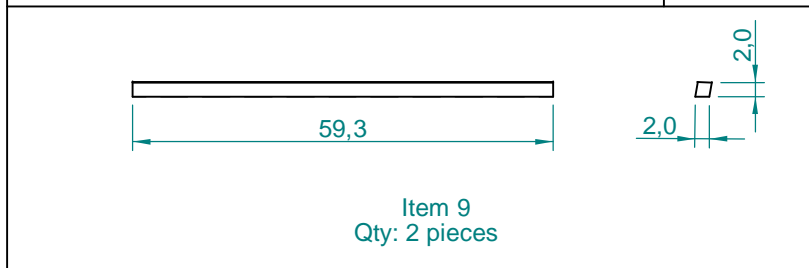
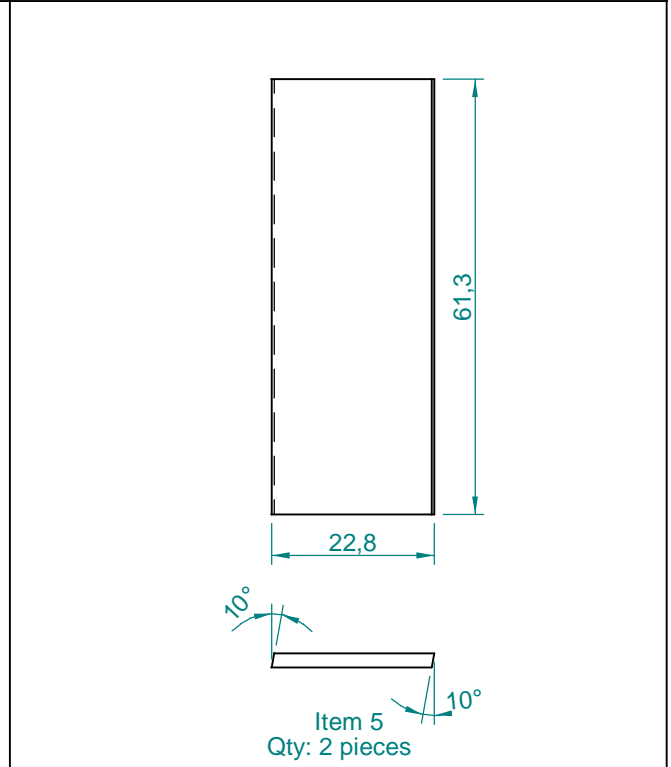
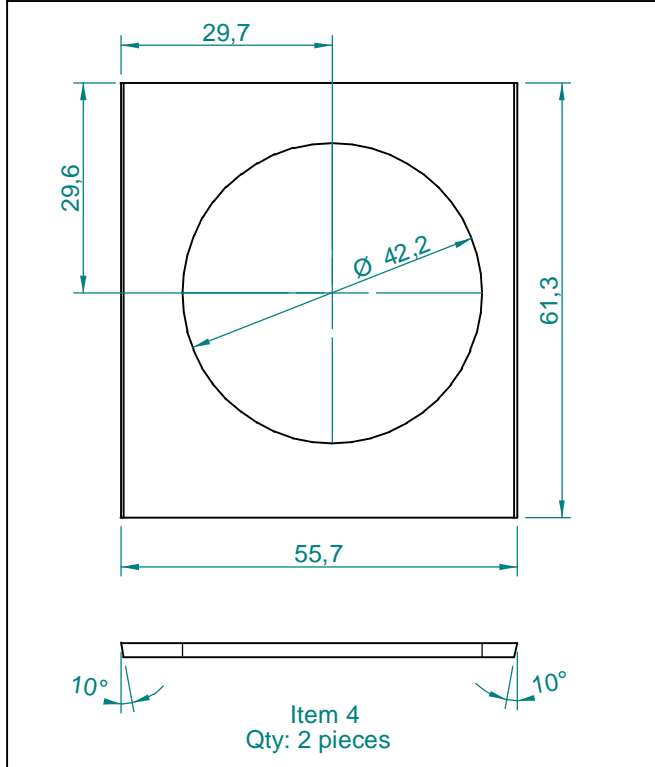
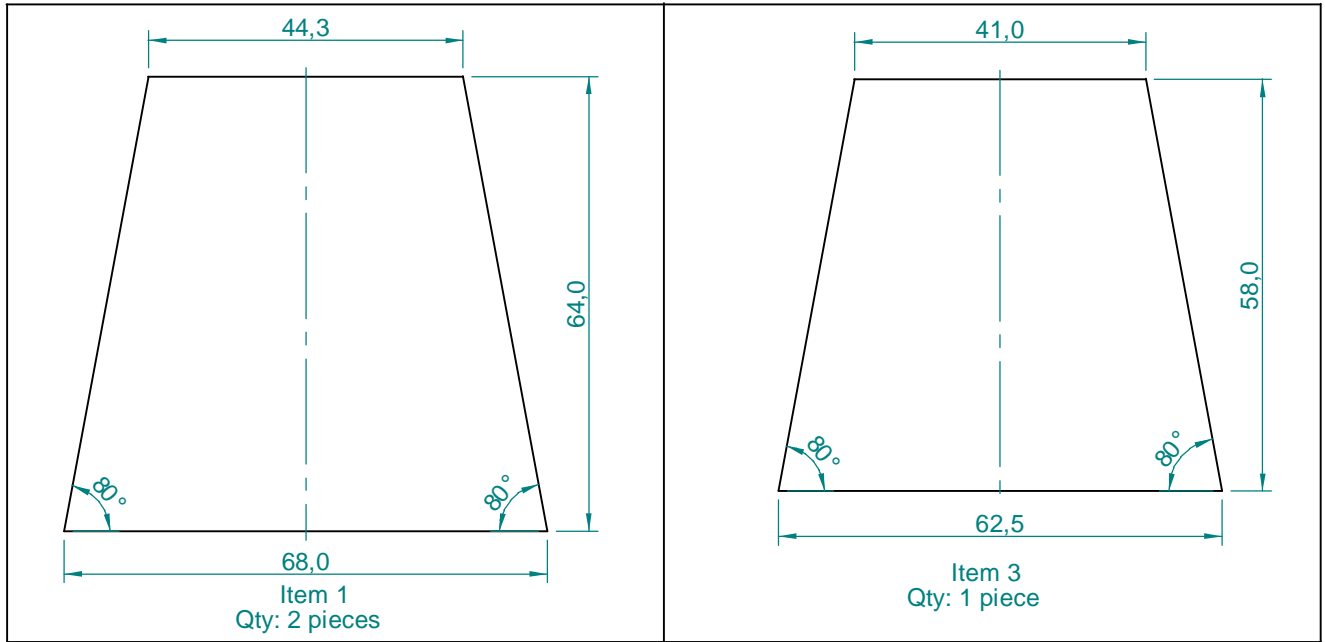
09/01 - Rev.: 00 - Page: 3/5

F:\CAIXAS ACÚSTICAS\PAS\PAS2\PAS2G1\PAS2G1INGLES

EUROPE Address:  
**SELENIUM EUROPE**  
St. Elisabethenstrasse 6  
65396 Walluf / Ober-Walluf - Germany  
Phone: +(49) 6123 601570  
Fax: +(49) 6123 601587  
E-mail: sales@selenium-eu.com  
URL: www.seleniumloudspeakers.com

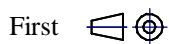
USA Address:  
**SELENIUM LOUDSPEAKER USA**  
1701 South Park Court, Bldg 102  
Chesapeake, VA 23320 - USA  
Phone: (757) 424-7516 / (800) 562-0510  
Fax: (757) 424-5426  
E-mail: export@selenium-usa.com  
URL: www.seleniumloudspeakers.com

BRAZIL Address:  
**ELETRÔNICA SELENIUM S.A.**  
BR 386 Km 435 / 92.480-000  
Nova Santa Rita - RS - Brazil  
Fax: +(55) 51 479-1120  
URL: www.selenium.com.br



Dimensions in cm.

Projection Angle:



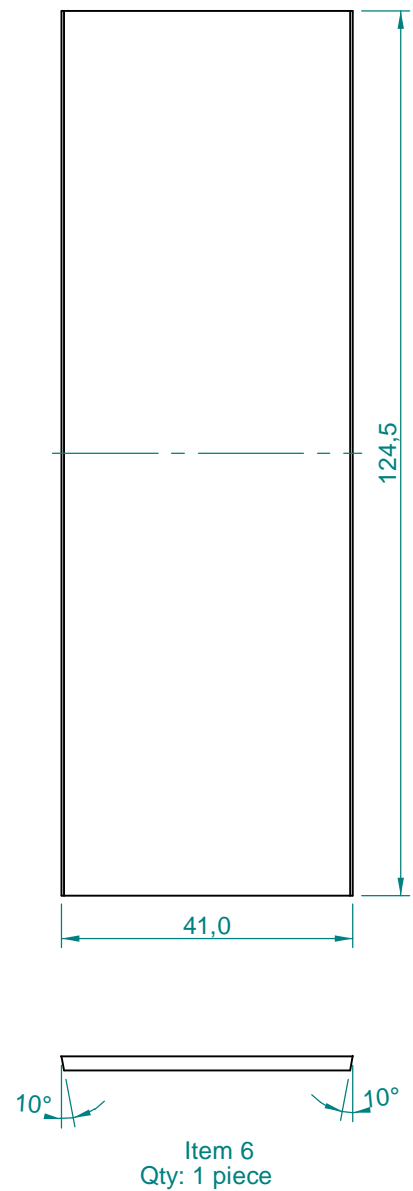
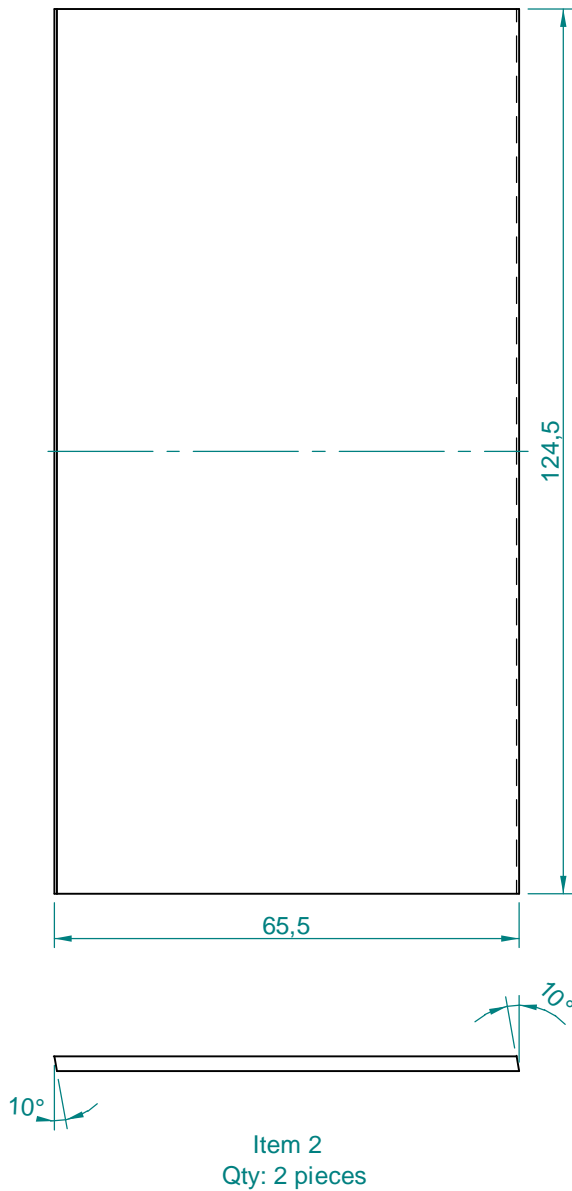
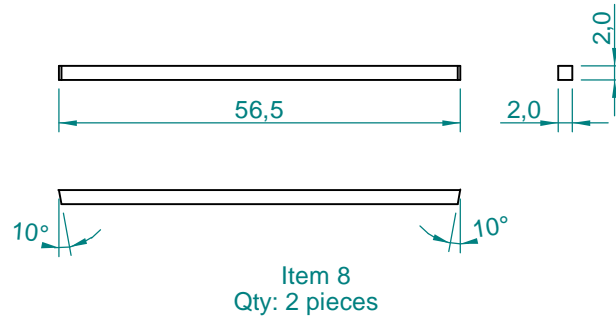
Specifications subject to change without notice.

09/01 - Rev.: 00 - Page: 4/5

F:\CAIXAS ACÚSTICAS\PAS\PAS2\PAS2G1\PAS2G1\INGLES

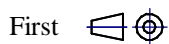
EUROPE Address:  
**SELENIUM EUROPE**  
St. Elisabethenstrasse 6  
65396 Walluf / Ober-Walluf - Germany  
Phone: +(49) 6123 601570  
Fax: +(49) 6123 601587  
E-mail: sales@selenium-eu.com  
URL: www.seleniumloudspeakers.com

USA Address:  
**SELENIUM LOUDSPEAKER USA**  
1701 South Park Court, Bldg 102  
Chesapeake, VA 23320 - USA  
Phone: (757) 424-7516 / (800) 562-0510  
Fax: (757) 424-5426  
E-mail: export@selenium-usa.com  
URL: www.seleniumloudspeakers.com



Dimensions in cm.

Projection Angle:



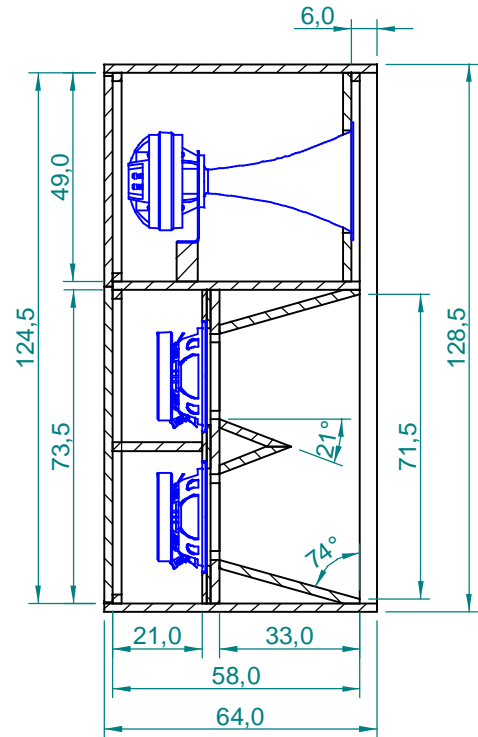
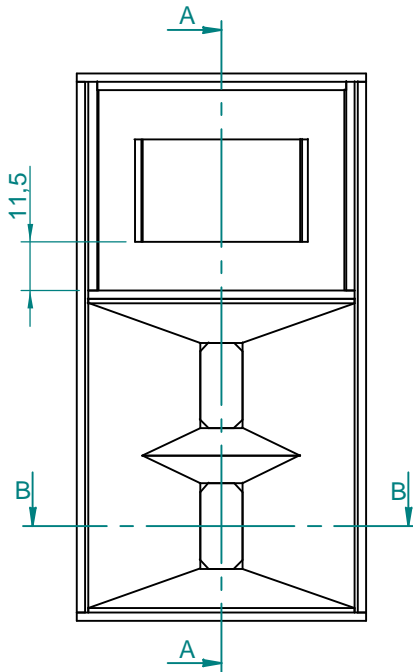
Specifications subject to change without notice.

09/01 - Rev.: 00 - Page: 5/5

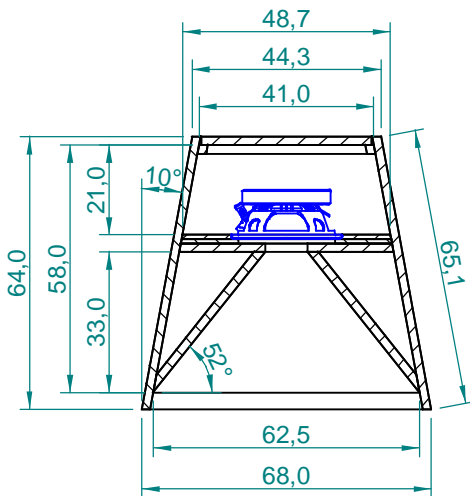
F:\CAIXAS ACÚSTICAS\PAS\PAS2\PAS2G1\PAS2G1\INGLES

EUROPE Address:  
**SELENIUM EUROPE**  
St. Elisabethenstrasse 6  
65396 Walluf / Ober-Walluf - Germany  
Phone: +(49) 6123 601570  
Fax: +(49) 6123 601587  
E-mail: sales@selenium-eu.com  
URL: www.seleniumloudspeakers.com

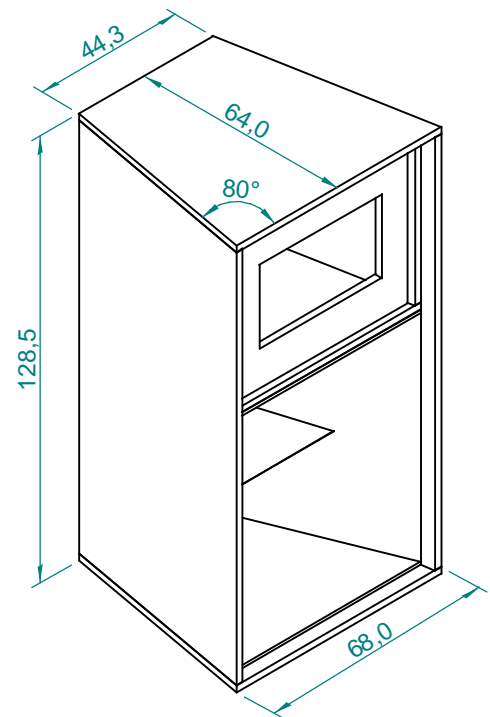
USA Address:  
**SELENIUM LOUDSPEAKER USA**  
1701 South Park Court, Bldg 102  
Chesapeake, VA 23320 - USA  
Phone: (757) 424-7516 / (800) 562-0510  
Fax: (757) 424-5426  
E-mail: export@selenium-usa.com  
URL: www.seleniumloudspeakers.com



Section A-A

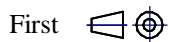


Section B-B



Dimensions in cm.

Projection Angle:



Specifications subject to change without notice.

09/01 - Rev.: 00 - Page: 1/6

F:\CAIXAS ACÚSTICAS\PAS\PAS2\PAS2MA2\PAS2MA2INGLES

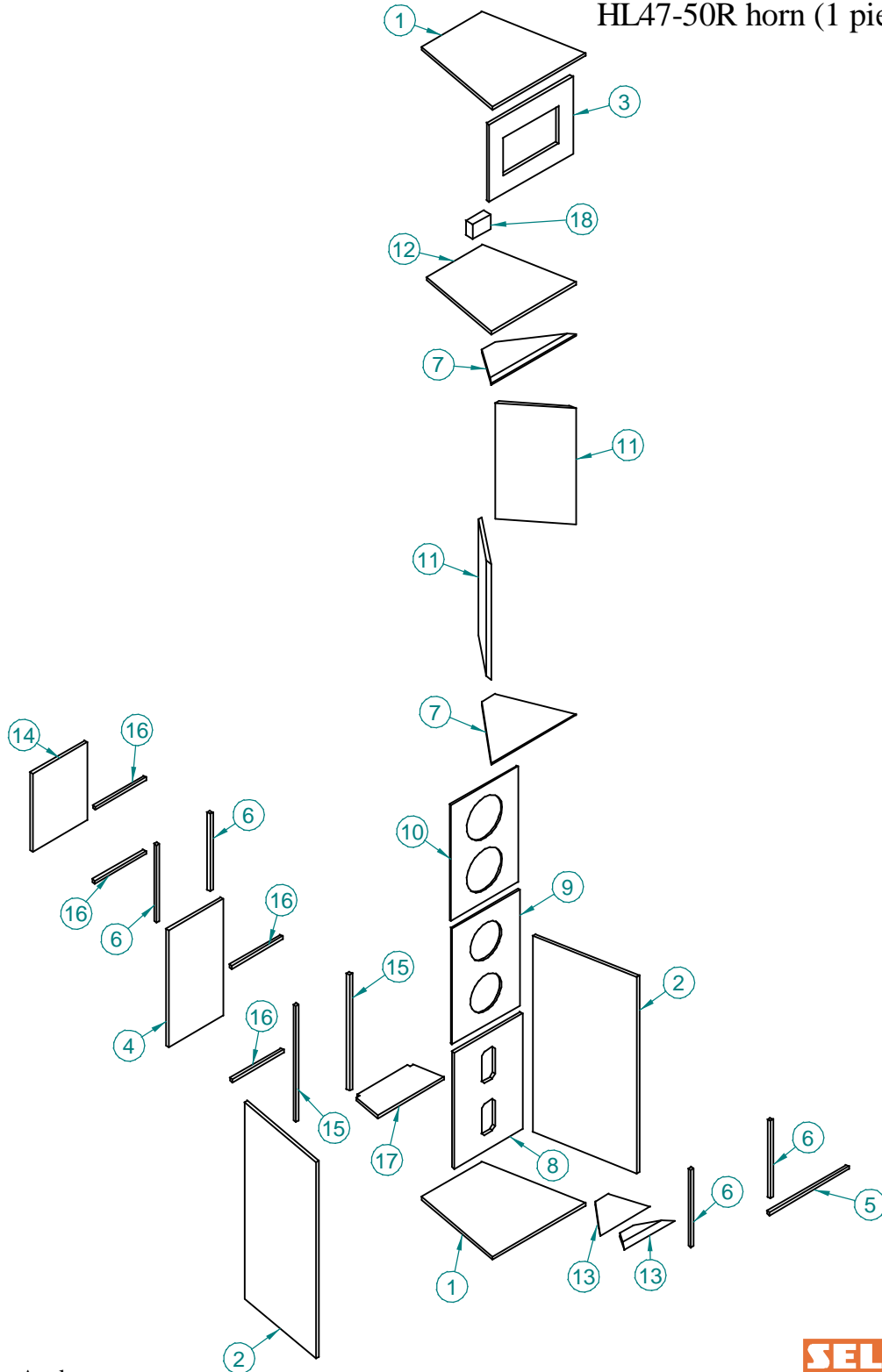
EUROPE Address:  
**SELENIUM EUROPE**  
St. Elisabethenstrasse 6  
65396 Walluf / Ober-Walluf - Germany  
Phone: +(49) 6123 601570  
Fax: +(49) 6123 601587  
E-mail: sales@selenium-eu.com  
URL: www.seleniumloudspeakers.com

USA Address:  
**SELENIUM LOUDSPEAKER USA**  
1701 South Park Court, Bldg 102  
Chesapeake, VA 23320 - USA  
Phone: (757) 424-7516 / (800) 562-0510  
Fax: (757) 424-5426  
E-mail: export@selenium-usa.com  
URL: www.seleniumloudspeakers.com

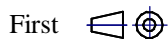
BRAZIL Address:  
**ELETRÔNICA SELENIUM S.A.**  
BR 386 Km 435 / 92.480-000  
Nova Santa Rita - RS - Brazil  
Fax: +(55) 51 479-1120  
URL: www.selenium.com.br

Trapezoidal cabinet, two way, horn type, for use in PA systems, with two 10" mid-bass and one titanium compression driver with horn.

Components:  
10MB1P mid-bass (2 pieces)  
D4400Ti or D3300Ti driver (1 piece)  
HL47-50R horn (1 piece)



Projection Angle:



Specifications subject to change without notice.

09/01 - Rev.: 00 - Page: 2/6

F:\CAIXAS ACÚSTICAS\PAS\PAS2\PAS2MA2\PAS2MA2INGLES

EUROPE Address:  
**SELENIUM EUROPE**  
St. Elisabethenstrasse 6  
65396 Walluf / Ober-Walluf - Germany  
Phone: +(49) 6123 601570  
Fax: +(49) 6123 601587  
E-mail: sales@selenium-eu.com  
URL: www.seleniumloudspeakers.com

USA Address:  
**SELENIUM LOUDSPEAKER USA**  
1701 South Park Court, Bldg 102  
Chesapeake, VA 23320 - USA  
Phone: (757) 424-7516 / (800) 562-0510  
Fax: (757) 424-5426  
E-mail: export@selenium-usa.com  
URL: www.seleniumloudspeakers.com

NOTES:

Cut off Frequency:

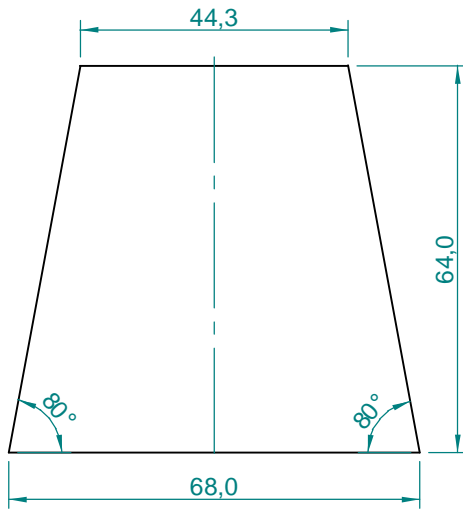
10" Speaker: Low: 200 Hz.  
High: 1.200 Hz.

Driver: Low: 1.200 Hz.

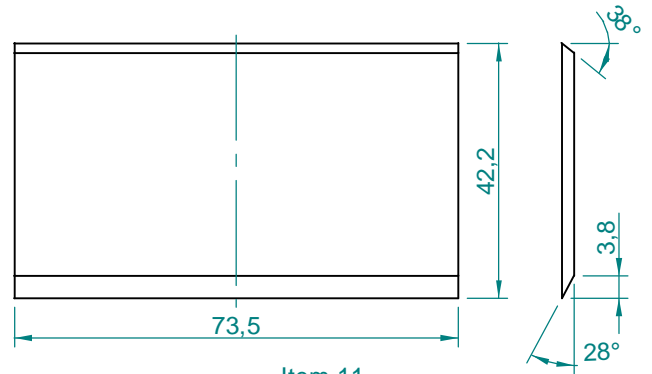
Recommended Crossover: Active, Linkwitz-Riley, 24 dB/oct.

Item	Qty	Description	Material	Notes
1	2	Top/Botton	Plywood 20 mm	
2	2	Lateral	Plywood 20 mm	
3	1	Panel 1	Plywood 20 mm	
4	1	Rear Panel 1	Plywood 20 mm	
5	1	Frame 1	Plywood 20 mm	
6	4	Frame 2	Plywood 20 mm	
7	2	Ramp 1	Plywood 20 mm	
8	1	Panel 2	Plywood 20 mm	
9	1	Panel 3	Plywood 10 mm	
10	1	Panel 4	Plywood 10 mm	
11	2	Ramp 2	Plywood 20 mm	
12	1	Partition 1	Plywood 20 mm	
13	2	Wedge	Plywood 20 mm	
14	1	Rear Panel 2	Plywood 20 mm	
15	2	Frame 3	Plywood 20 mm	
16	4	Frame 4	Plywood 20 mm	
17	1	Partition 2	Plywood 20 mm	
18	1	Wedge to Support the Horn	Wood	

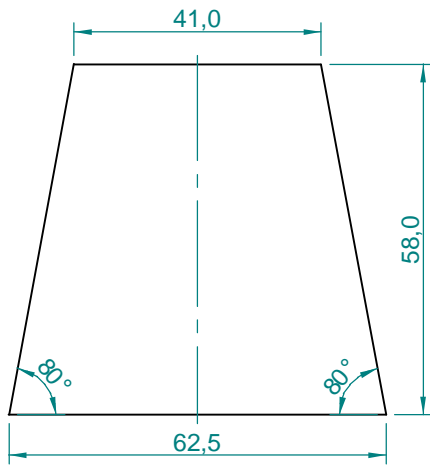
Specifications subject to  
change without notice.



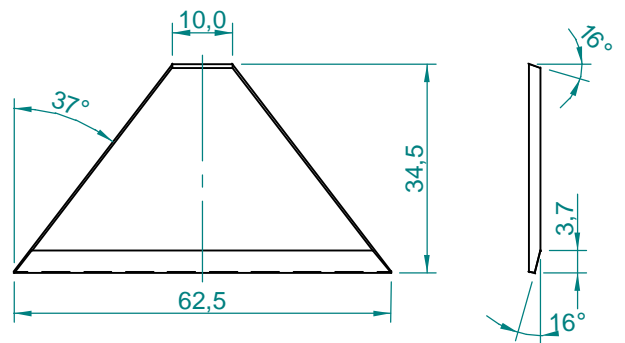
Item 1  
Qty: 2 pieces



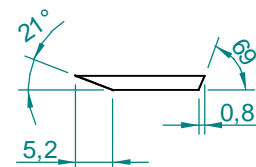
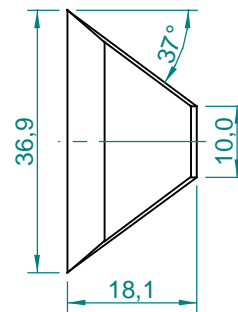
Item 11  
Qty: 2 pieces



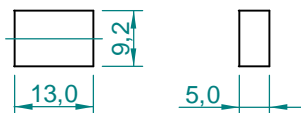
Item 12  
Qty: 1 piece



Item 7  
Qty: 2 pieces



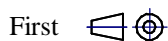
Item 13  
Qty: 2 pieces



Item 18  
Qty: 1 piece

Dimensions in cm.

Projection Angle:



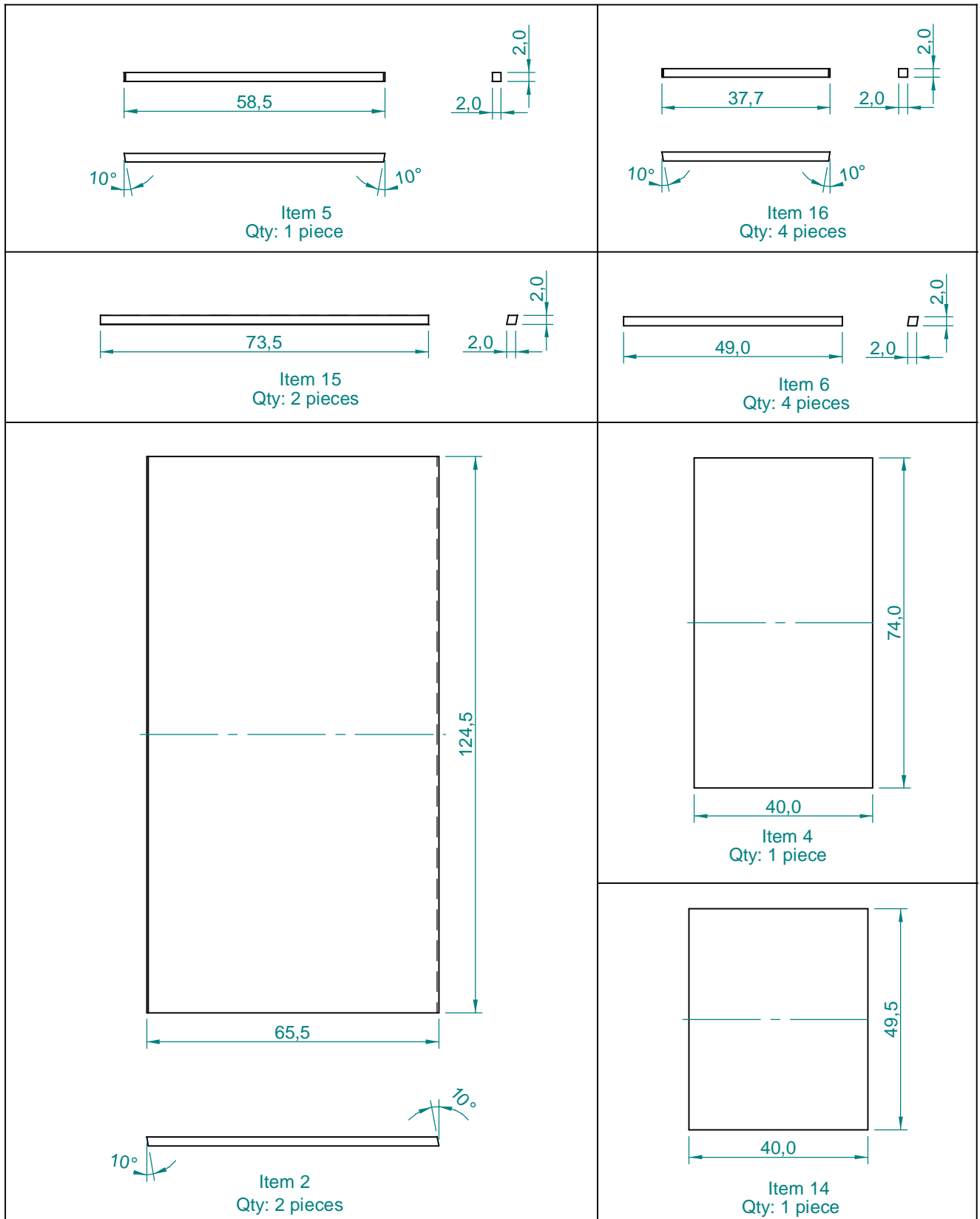
Specifications subject to  
change without notice.

09/01 - Rev.: 00 - Page: 4/6

F:\CAIXAS ACÚSTICAS\PAS\PAS2\PAS2MA2\PAS2MA2INGLES

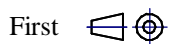
EUROPE Address:  
**SELENIUM EUROPE**  
St. Elisabethenstrasse 6  
65396 Walluf / Ober-Walluf - Germany  
Phone: +(49) 6123 601570  
Fax: +(49) 6123 601587  
E-mail: sales@selenium-eu.com  
URL: www.seleniumloudspeakers.com

USA Address:  
**SELENIUM LOUDSPEAKER USA**  
1701 South Park Court, Bldg 102  
Chesapeake, VA 23320 - USA  
Phone: (757) 424-7516 / (800) 562-0510  
Fax: (757) 424-5426  
E-mail: export@selenium-usa.com  
URL: www.seleniumloudspeakers.com



Dimensions in cm.

Projection Angle:



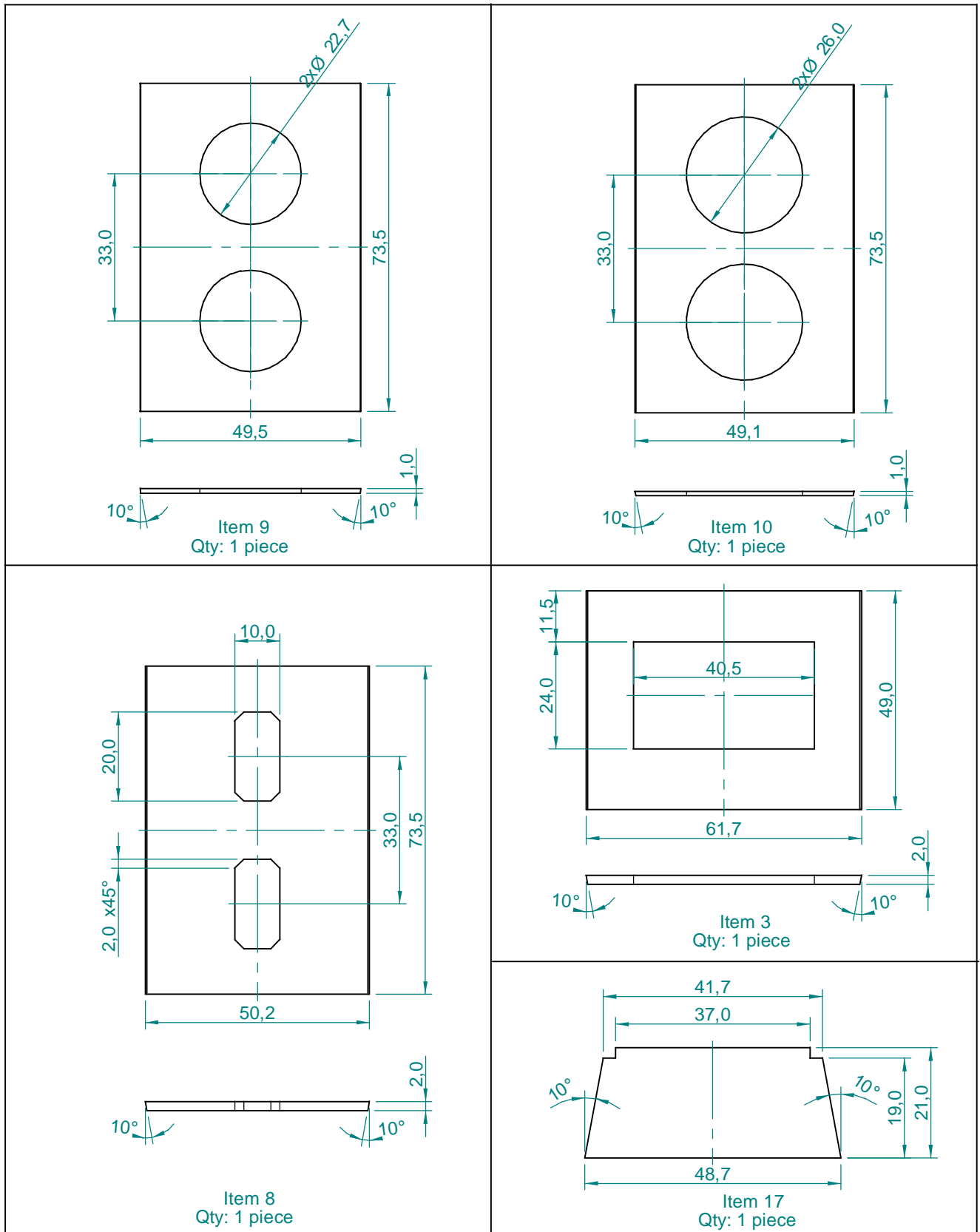
Specifications subject to change without notice.

09/01 - Rev.: 00 - Page: 5/6

F:\CAIXAS ACÚSTICAS\PAS\PAS2\PAS2MA2\PAS2MA2\INGLES

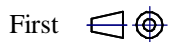
EUROPE Address:  
**SELENIUM EUROPE**  
St. Elisabethenstrasse 6  
65396 Walluf / Ober-Walluf - Germany  
Phone: +(49) 6123 601570  
Fax: +(49) 6123 601587  
E-mail: sales@selenium-eu.com  
URL: www.seleniumloudspeakers.com

USA Address:  
**SELENIUM LOUDSPEAKER USA**  
1701 South Park Court, Bldg 102  
Chesapeake, VA 23320 - USA  
Phone: (757) 424-7516 / (800) 562-0510  
Fax: (757) 424-5426  
E-mail: export@selenium-usa.com  
URL: www.seleniumloudspeakers.com



Dimensions in cm.

Projection Angle:



Specifications subject to change without notice.