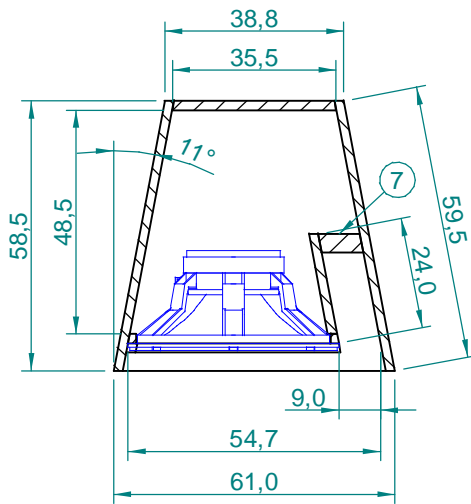
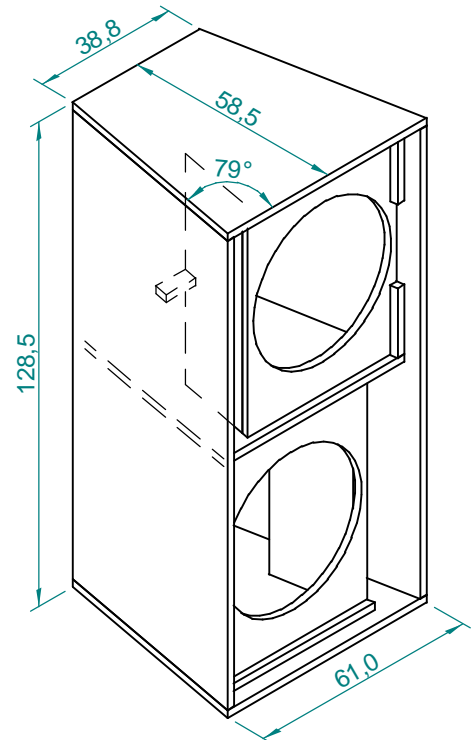


Section A-A

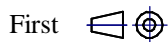


Section B-B



Dimensions in cm.

Projection Angle:



Specifications subject to change without notice.

09/01 - Rev.: 00 - Page: 1/5

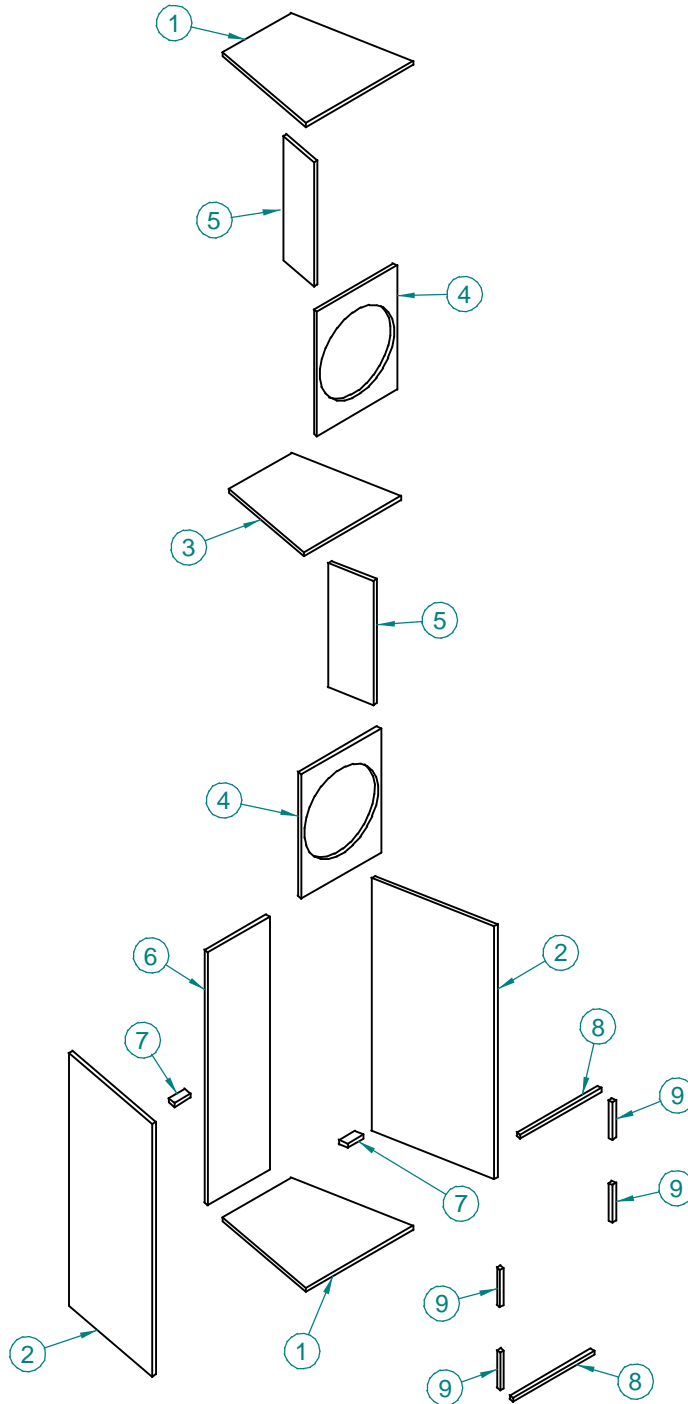
F:\CAIXAS ACÚSTICAS\PAS\PAS1\PAS1G1\PAS1G1ANGLES

EUROPE Address:  
**SELENIUM EUROPE**  
St. Elisabethenstrasse 6  
65396 Walluf / Ober-Walluf - Germany  
Phone: +(49) 6123 601570  
Fax: +(49) 6123 601587  
E-mail: sales@selenium-eu.com  
URL: www.seleniumloudspeakers.com

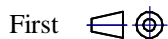
USA Address:  
**SELENIUM LOUDSPEAKER USA**  
1701 South Park Court, Bldg 102  
Chesapeake, VA 23320 - USA  
Phone: (757) 424-7516 / (800) 562-0510  
Fax: (757) 424-5426  
E-mail: export@selenium-usa.com  
URL: www.seleniumloudspeakers.com

Low frequency cabinet, trapezoidal shape, bass-reflex type for use in PA systems with two 18" low frequency driver.

Components:  
18SW1P subwoofer or  
WPU1805 or WPU1807 woofer (2 pieces)



Projection Angle:



Specifications subject to change without notice.

09/01 - Rev.: 00 - Page: 2/5

F:\CAIXAS ACÚSTICAS\PAS\PAS1\PAS1G1\PAS1G1INGLES

EUROPE Address:  
**SELENIUM EUROPE**  
St. Elisabethenstrasse 6  
65396 Walluf / Ober-Walluf - Germany  
Phone: +(49) 6123 601570  
Fax: +(49) 6123 601587  
E-mail: sales@selenium-eu.com  
URL: www.seleniumloudspeakers.com

USA Address:  
**SELENIUM LOUDSPEAKER USA**  
1701 South Park Court, Bldg 102  
Chesapeake, VA 23320 - USA  
Phone: (757) 424-7516 / (800) 562-0510  
Fax: (757) 424-5426  
E-mail: export@selenium-usa.com  
URL: www.seleniumloudspeakers.com

NOTES:

Net internal volume of the 18" low frequency driver chamber: 110 liters (each).

Cut off Frequency:

18" Speaker: Low: 40 Hz.

High: should match the low cut off frequency of the next channel enclosure.

Recommended Crossover: Active, Linkwitz-Riley, 24 dB/oct.

Item	Qty	Description	Material	Notes
1	2	Top/Botton	Plywood 20 mm	
2	2	Lateral	Plywood 20 mm	
3	1	Partition	Plywood 20 mm	
4	2	Front Panel	Plywood 20 mm	
5	2	Duct Wall	Plywood 20 mm	
6	1	Back	Plywood 20 mm	
7	2	Duct Reinforcement	Plywood 20 mm	
8	2	Frame 1	Plywood 20 mm	
9	4	Frame 2	Plywood 20 mm	

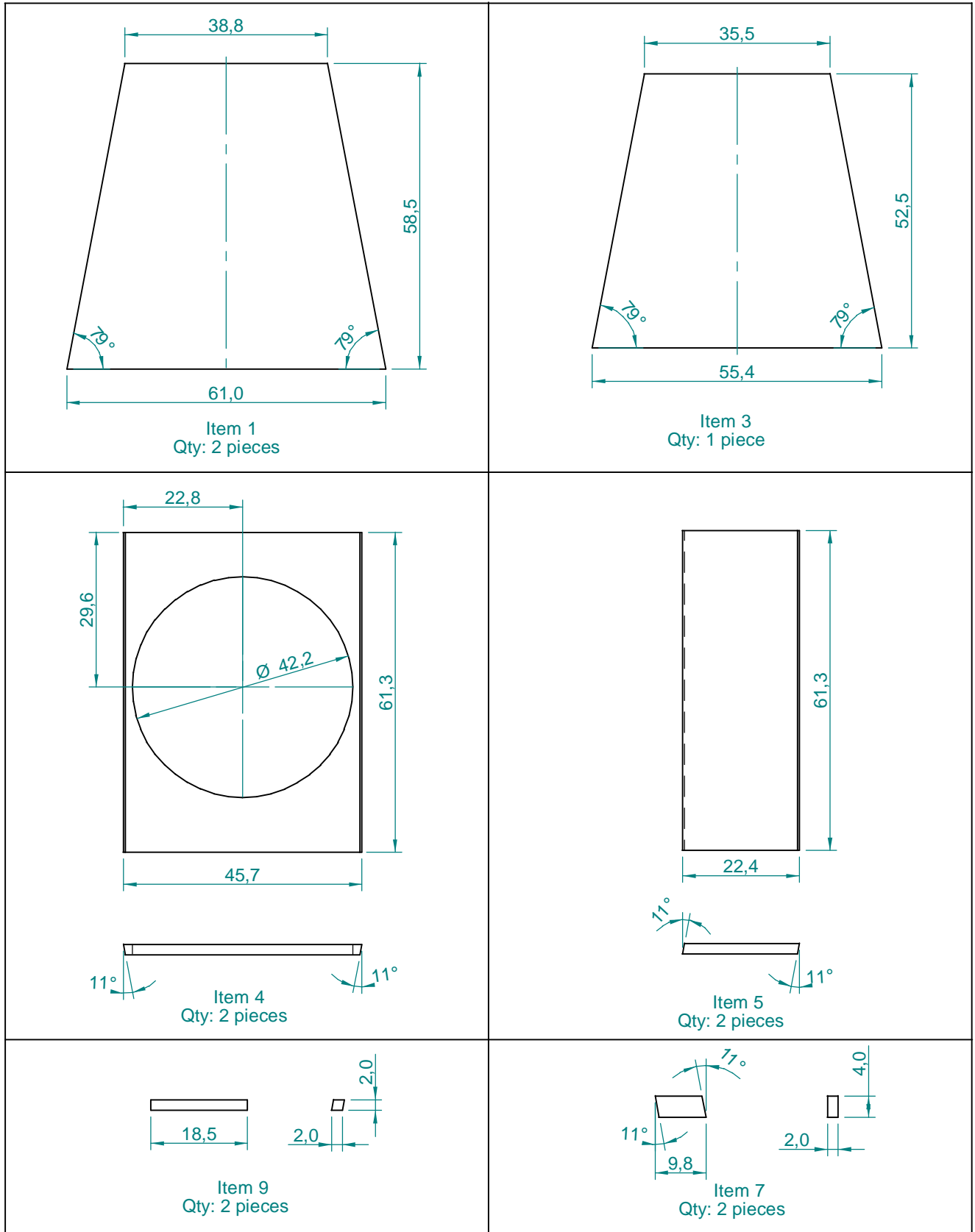
Specifications subject to  
change without notice.

09/01 - Rev.: 00 - Page: 3/5

F:\CAIXAS ACÚSTICAS\PAS\PAS1\PAS1G1\PAS1G1ANGLES

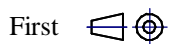
EUROPE Address:  
**SELENIUM EUROPE**  
St. Elisabethenstrasse 6  
65396 Walluf / Ober-Walluf - Germany  
Phone: +(49) 6123 601570  
Fax: +(49) 6123 601587  
E-mail: sales@selenium-eu.com  
URL: www.seleniumloudspeakers.com

USA Address:  
**SELENIUM LOUDSPEAKER USA**  
1701 South Park Court, Bldg 102  
Chesapeake, VA 23320 - USA  
Phone: (757) 424-7516 / (800) 562-0510  
Fax: (757) 424-5426  
E-mail: export@selenium-usa.com  
URL: www.seleniumloudspeakers.com

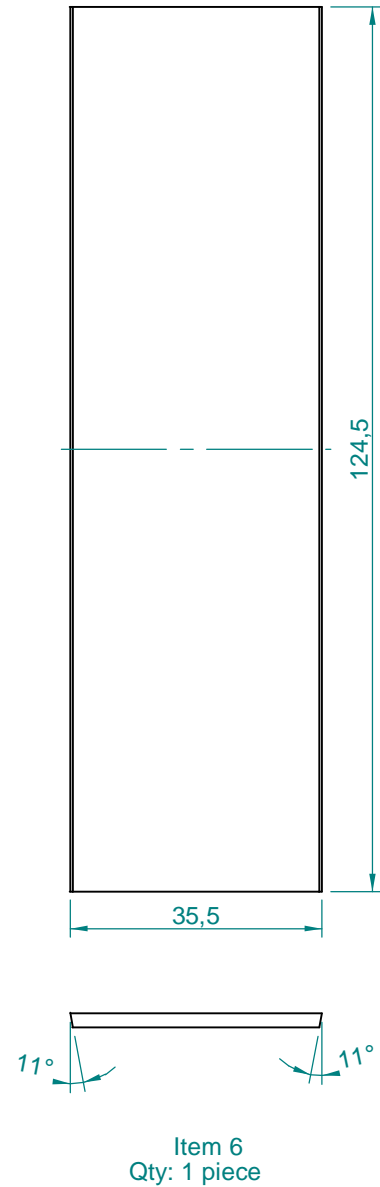
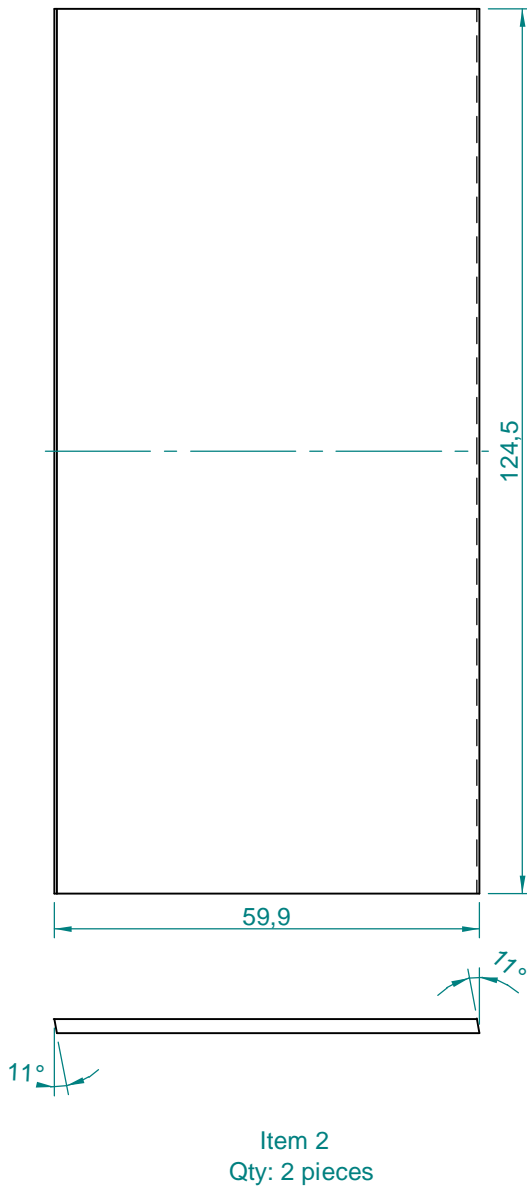
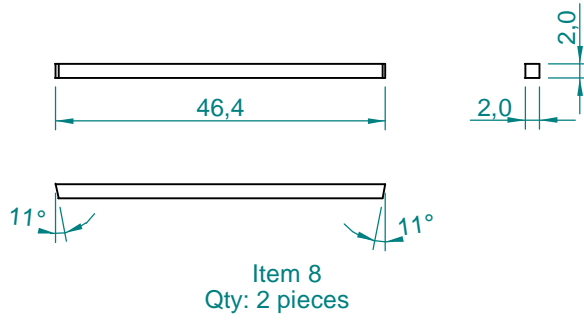


Dimensions in cm.

Projection Angle:

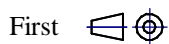


Specifications subject to change without notice.



Dimensions in cm.

Projection Angle:



Specifications subject to  
change without notice.

09/01 - Rev.: 00 - Page: 5/5

F:\CAIXAS ACÚSTICAS\PAS\PAS1\PAS1G1\PAS1G1ANGLES

EUROPE Address:  
**SELENIUM EUROPE**  
St. Elisabethenstrasse 6  
65396 Walluf / Ober-Walluf - Germany  
Phone: +(49) 6123 601570  
Fax: +(49) 6123 601587  
E-mail: sales@selenium-eu.com  
URL: www.seleniumloudspeakers.com

USA Address:  
**SELENIUM LOUDSPEAKER USA**  
1701 South Park Court, Bldg 102  
Chesapeake, VA 23320 - USA  
Phone: (757) 424-7516 / (800) 562-0510  
Fax: (757) 424-5426  
E-mail: export@selenium-usa.com  
URL: www.seleniumloudspeakers.com

BRAZIL Address:  
**ELETRÔNICA SELENIUM S.A.**  
BR 386 Km 435 / 92.480-000  
Nova Santa Rita - RS - Brazil  
Fax: +(55) 51 479-1120  
URL: www.selenium.com.br