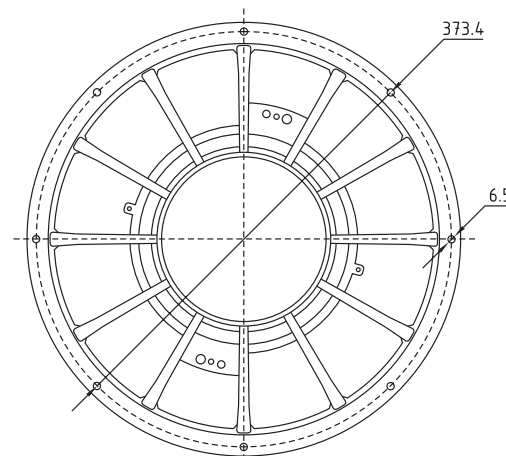
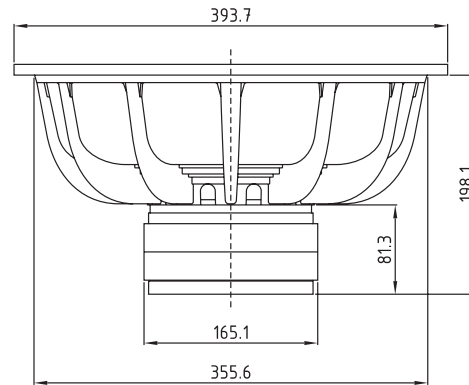


**TIT400C-4****15" Titanic Mk III Subwoofer 4 Ohm****TIT400C-4****15" Titanic Mk III Subwoofer 4 Ohm****Features**

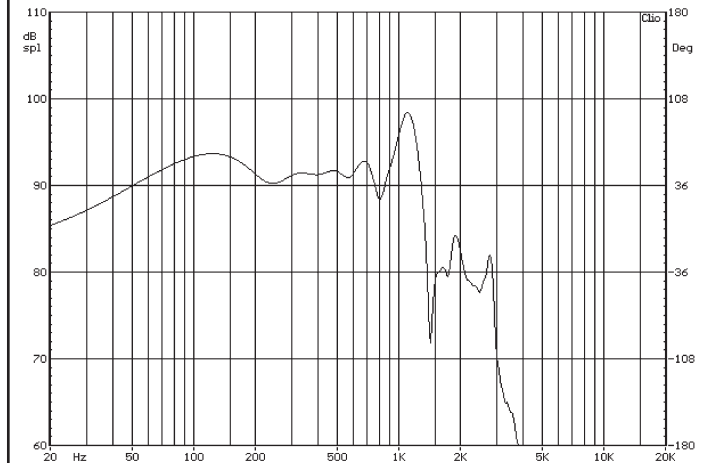
- 15" composite fiber cone
- 2-1/2" voice coil
- Advanced rubber surround
- Ventus Cooling System (VCS™)
- Copper shorting ring
- Rigid cast frame
- Optimized motor system
- Made in the USA

**Parameters**

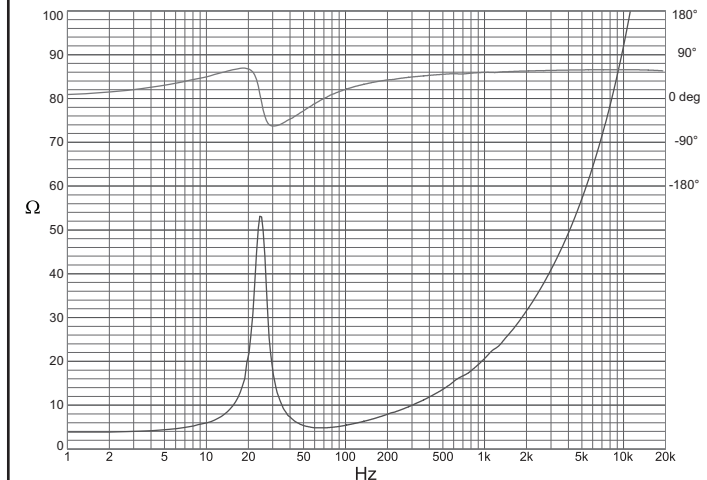
Impedance ( $\Omega$ )	4
Re ( $\Omega$ )	3.8
Le (mH)	2.57
Fs (Hz)	24.2
Qms	6.75
Qes	0.52
Qts	0.49
Mms (g)	253.9
Cms (mm/N)	0.17
Sd (cm <sup>2</sup> )	804.2
Vd (liters)	1648.7
BL (Tm)	16.80
VAS (liters)	154.5
XMAX (mm)	20.5
VC Diameter (mm)	64
SPL (dB@1W/1m)	88.7
RMS Power Handling (w)	800
Usable Frequency Range (Hz)	19 - 500



Note: All dimensions in mm.

**Frequency Response**

Note: Due to testing limitations, response below 200 Hz is not an actual representation.

**Impedance/Phase**

daytonaudio.com

© Dayton Audio