

TIT320C-4

12" Titanic Mk III Subwoofer 4 Ohm

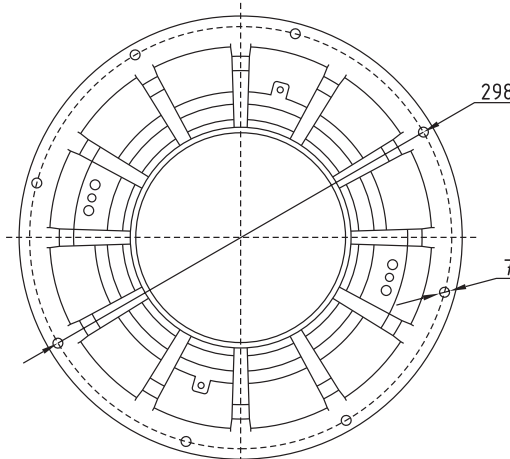
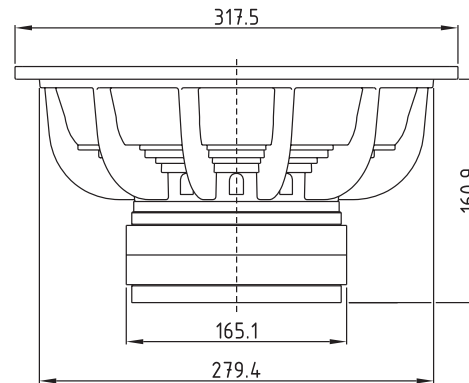


Features

- 12" composite fiber cone
- 2-1/2" voice coil
- Advanced rubber surround
- Ventus Cooling System (VCS™)
- Copper shorting ring
- Rigid cast frame
- Optimized motor system
- Made in the USA

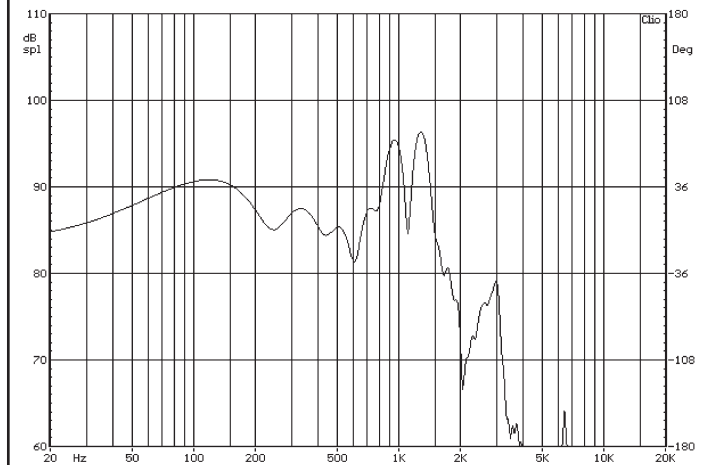
Parameters

| | |
|-----------------------------|----------|
| Impedance (Ω) | 4 |
| Re (Ω) | 3.1 |
| Le (mH) | 2.50 |
| Fs (Hz) | 24.9 |
| Qms | 7.03 |
| Qes | 0.49 |
| Qts | 0.45 |
| Mms (g) | 225.6 |
| Cms (mm/N) | 0.18 |
| Sd (cm ²) | 502.7 |
| Vd (liters) | 940.1 |
| BL (Tm) | 15.45 |
| VAS (liters) | 64.28 |
| XMAX (mm) | 18.7 |
| VC Diameter (mm) | 64 |
| SPL (dB@1W/1m) | 86.0 |
| RMS Power Handling (w) | 500 |
| Usable Frequency Range (Hz) | 22 - 500 |



Note: All dimensions in mm.

Frequency Response



Note: Due to testing limitations, response below 200 Hz is not an actual representation.

Impedance/Phase

