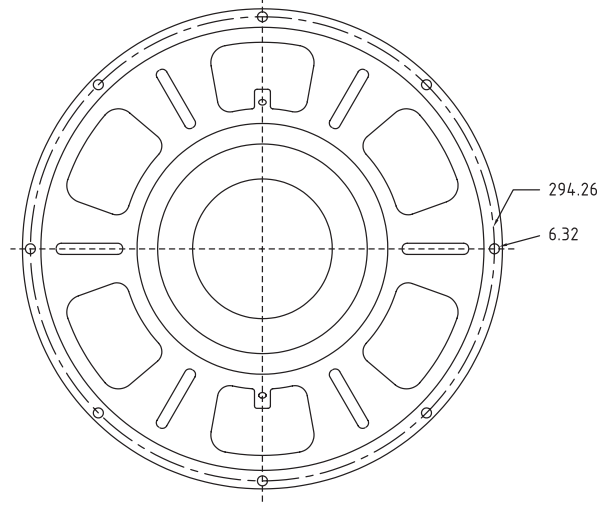
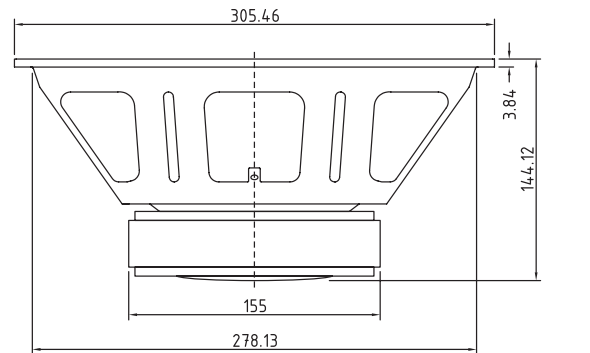


### Features

- 12" poly-coated paper cone
- Rubber surround and flat spider suspension
- 2-1/2" Kapton voice coil
- Heavy magnet structure with vented pole piece
- Long excursion design
- Made in the USA

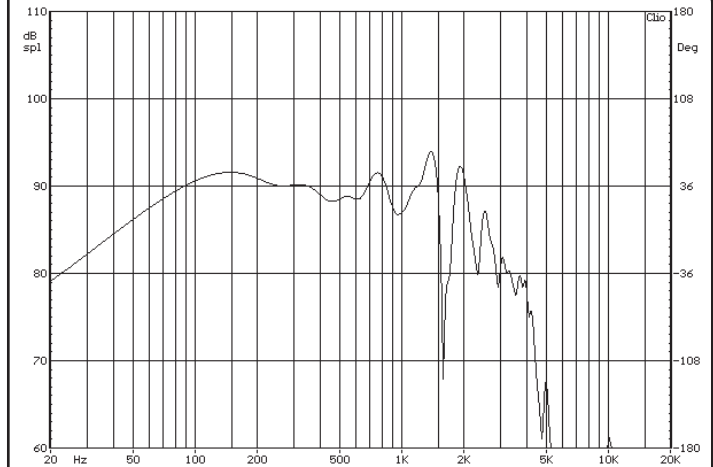
### Parameters

Impedance ( $\Omega$ )	8
Re ( $\Omega$ )	6.0
Le (mH)	2.57
Fs (Hz)	29.6
Qms	10.55
Qes	0.36
Qts	0.35
Mms (g)	81.33
Cms (mm/N)	0.36
Sd (cm <sup>2</sup> )	506.7
Vd (liters)	405.4
BL (Tm)	15.92
VAS (liters)	5.7
XMAX (mm)	8
VC Diameter (mm)	64
SPL (dB@1W/1m)	92.0
RMS Power Handling (W)	275
Usable Frequency Range (Hz)	27 - 2000



Note: All dimensions in mm.

### Frequency Response



Note: Due to testing limitations, response below 200 Hz is not an actual representation.

### Impedance/Phase

