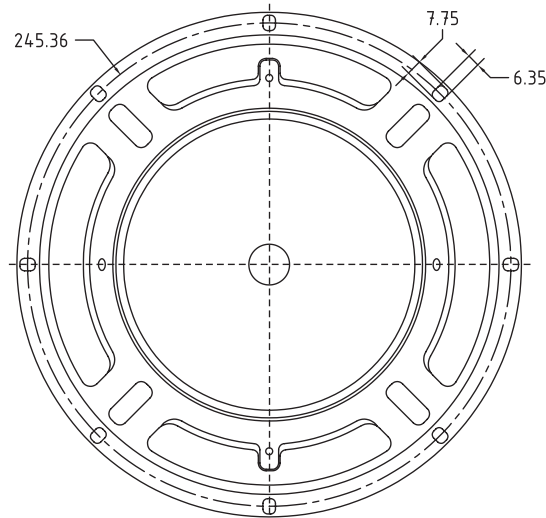
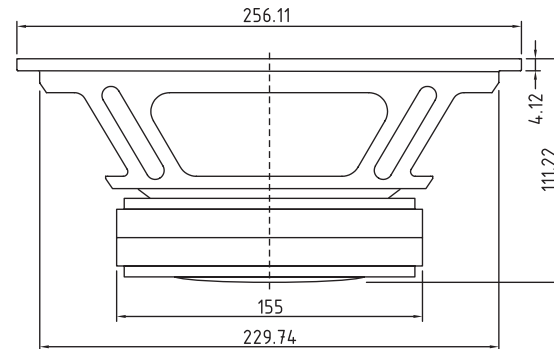


**Features**

- 10" poly-coated paper cone
- Rubber surround and flat spider suspension
- 2-1/2" Kapton voice coil
- Heavy magnet structure with vented pole piece
- Long excursion design
- Made in the USA

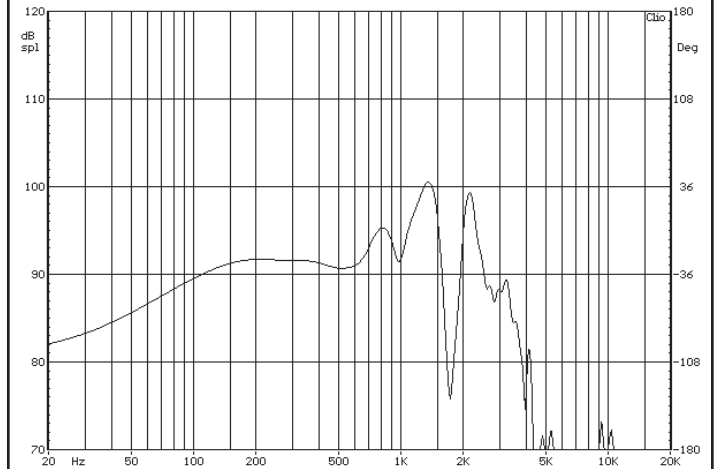
**Parameters**

Impedance ( $\Omega$ )	8
Re ( $\Omega$ )	6.3
Le (mH) @ 1 kHz	1.23
Fs (Hz)	41.1
Qms	9.94
Qes	0.32
Qts	0.31
Mms (g)	50.09
Cms (mm/N)	0.30
Sd (cm <sup>2</sup> )	339.8
Vd (liters)	186.9
BL (Tm)	16.03
VAS (liters)	48.7
XMAX (mm)	5.5
VC Diameter (mm)	64
SPL (dB@1W/1m)	91.7
RMS Power Handling (w)	250
Usable Frequency Range (Hz)	35 - 3000



Note: All dimensions in mm.

**Frequency Response**



Note: Due to testing limitations, response below 200 Hz is not an actual representation.

**Impedance/Phase**

