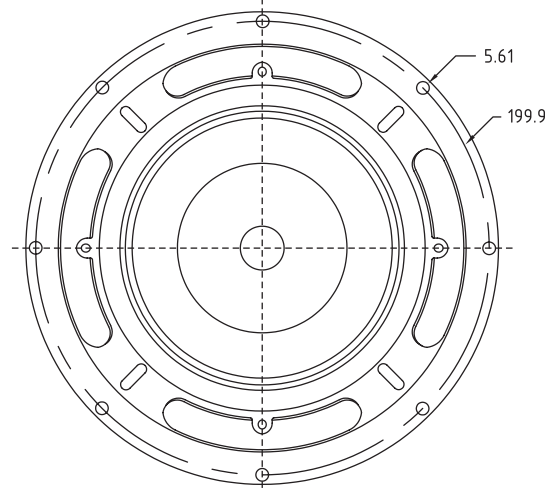
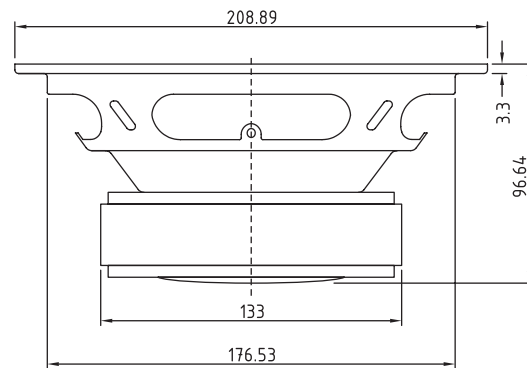


**ST210-8****8" Series II Woofer****ST210-8****Features**

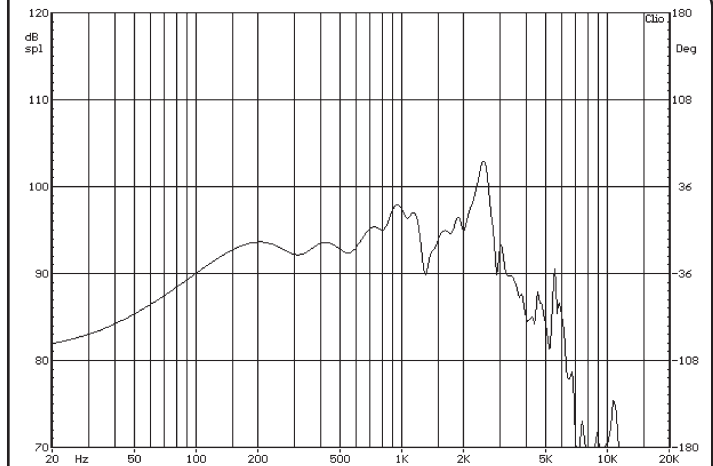
- 8" poly-coated paper cone
- Rubber surround and flat spider suspension
- 2" Kapton voice coil
- Heavy magnet structure with vented pole piece
- Long excursion design
- Made in the USA

**Parameters**

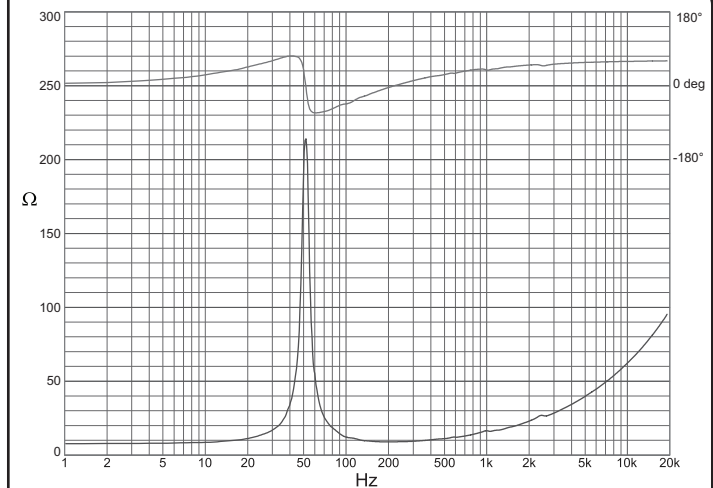
Impedance ( $\Omega$ )	8
Re ( $\Omega$ )	6.9
Le (mH) @ 1 kHz	1.30
Fs (Hz)	51.7
Qms	4.99
Qes	0.54
Qts	0.49
Mms (g)	26.38
Cms (mm/N)	0.36
Sd (cm <sup>2</sup> )	221.7
Vd (liters)	123.0
BL (Tm)	10.46
VAS (liters)	24.7
XMAX (mm)	5.55
VC Diameter (mm)	51
SPL (dB@1W/1m)	90.0
RMS Power Handling (w)	180
Usable Frequency Range (Hz)	45 - 3000



Note: All dimensions in mm.

**Frequency Response**

Note: Due to testing limitations, response below 200 Hz is not an actual representation.

**Impedance/Phase****8" Series II Woofer**