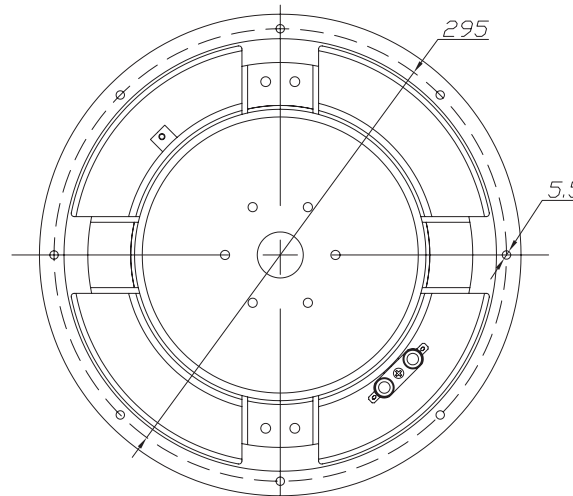
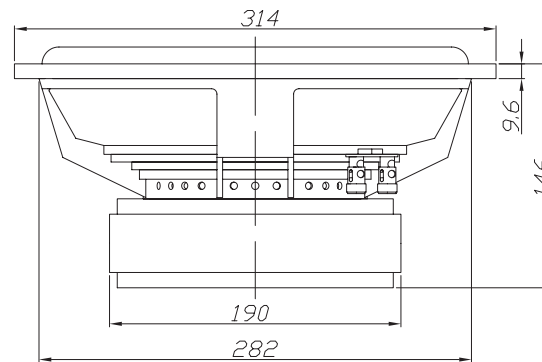


Features

- Heavy gauge black anodized aluminum cone
- 2-1/2" 4-layer voice coil
- Fully vented construction
- Triple-shorting-ring motor
- Rigid cast frame
- Rubber surround
- High power handling

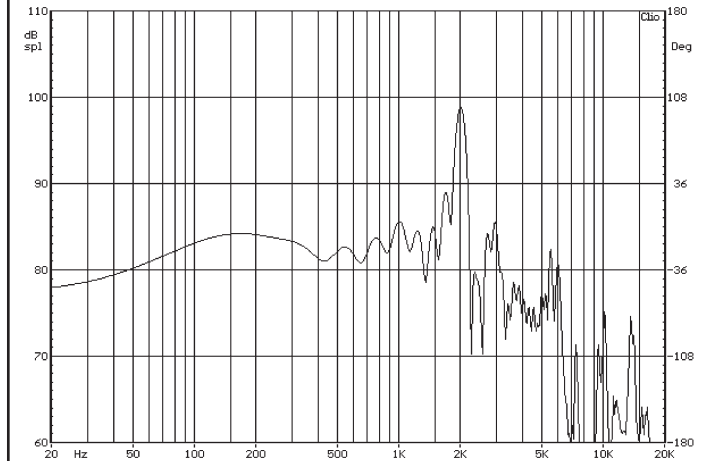
Parameters

Impedance (Ω)	4
Re (Ω)	3.4
Le (mH) @ 1 kHz	1.93
Fs (Hz)	31.6
Qms	4.27
Qes	0.45
Qts	0.41
Mms (g)	280.9
Cms (mm/N)	0.09
Sd (cm ²)	514.7
Vd (liters)	633.1
BL (Tm)	20.70
VAS (liters)	33.5
XMAX (mm)	12.3
VC Diameter (mm)	64
SPL (dB@1W/1m)	85.0
RMS Power Handling (w)	700
Usable Frequency Range (Hz)	26 - 600



Note: All dimensions in mm.

Frequency Response



Note: Due to testing limitations, response below 200 Hz is not an actual representation.

Impedance/Phase

