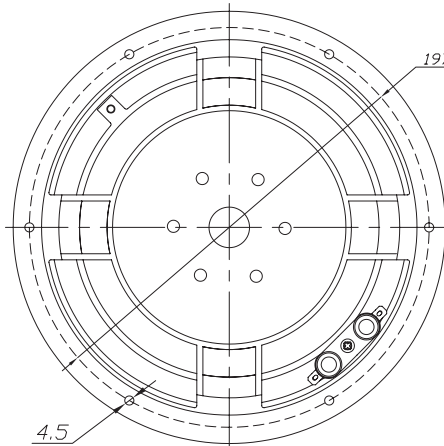
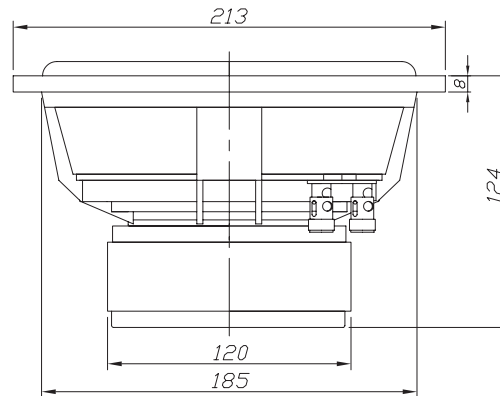


Features

- Black anodized aluminum cone
- 2" 2-layer voice coil
- Triple-shorting-ring motor
- Fully vented construction
- Rigid cast frame
- Rubber surround
- High power handling

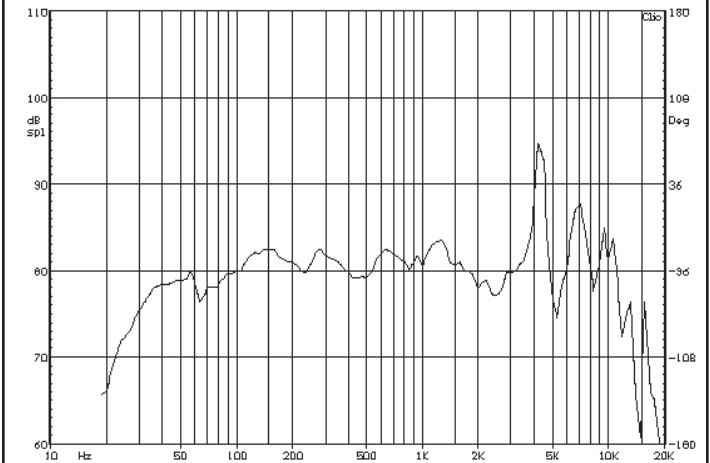
Parameters

Impedance (Ω)	4
Re (Ω)	3.3
Le (mH) @ 1 kHz	0.68
Fs (Hz)	28.3
Qms	3.08
Qes	0.60
Qts	0.50
Mms (g)	66.02
Cms (mm/N)	0.48
Sd (cm ²)	219.0
Vd (liters)	197.1
BL (Tm)	7.76
VAS (liters)	32.4
XMAX (mm)	9
VC Diameter (mm)	51
SPL (dB@1W/1m)	83.0
RMS Power Handling (w)	280
Usable Frequency Range (Hz)	27 - 1000



Note: All dimensions in mm.

Frequency Response



Note: Due to testing limitations, response below 200 Hz is not an actual representation.

Impedance/Phase

