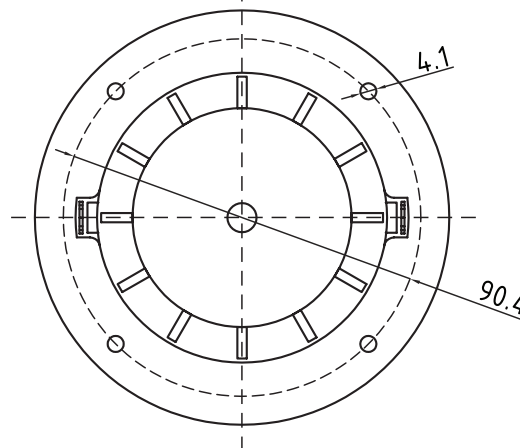
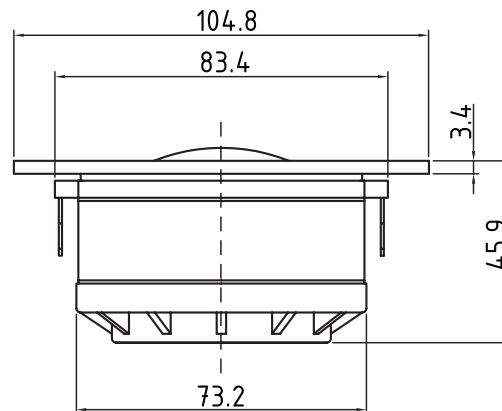


Features

- 1-1/8" black anodized aluminum dome
- Ultra-low distortion motor
- Cast aluminum face plate
- Protective mesh grill
- Tuned rear chamber
- Low free air resonance
- High power handling

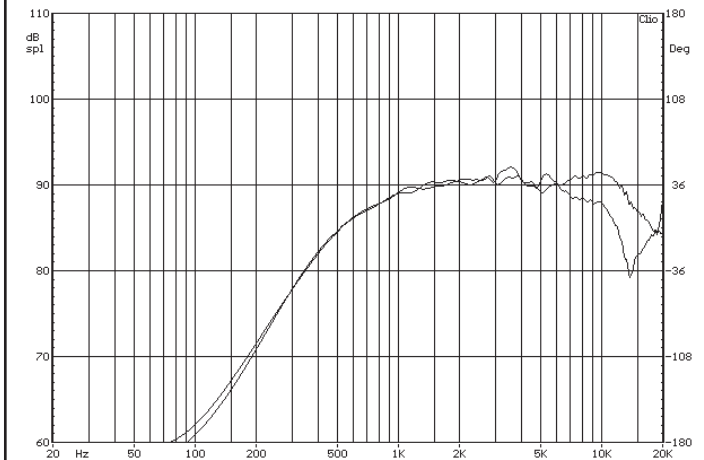
Parameters

Impedance (Ω)	4
Re (Ω)	3.0
Le (mH) @ 10 kHz	0.04
Fs (Hz)	592.2
Qms	1.50
Qes	0.94
Qts	0.58
Mms (g)	
Cms (mm/N)	
Sd (cm ²)	6.6
Vd (liters)	
BL (Tm)	
VAS (liters)	
XMAX (mm)	
VC Diameter (mm)	29
SPL (dB@1W/1m)	88.0
RMS Power Handling (w)	100
Usable Frequency Range (Hz)	1600 - 20000



Note: All dimensions in mm.

Frequency Response



Note: Due to testing limitations, response below 200 Hz is not an actual representation.

Impedance/Phase

