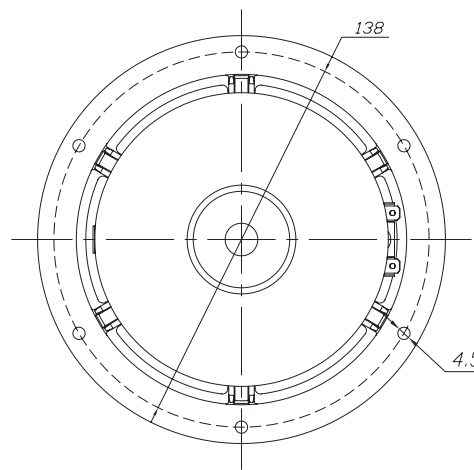
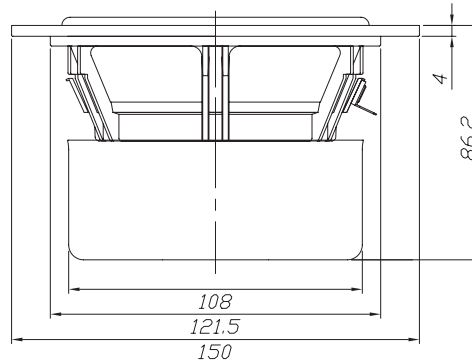


Features

- Lightweight black anodized aluminum cone
- Fully shielded magnetic structure
- Attractive 6-hole cast frame
- Advanced low distortion motor design
- Solid aluminum phase plug
- Rubber surround

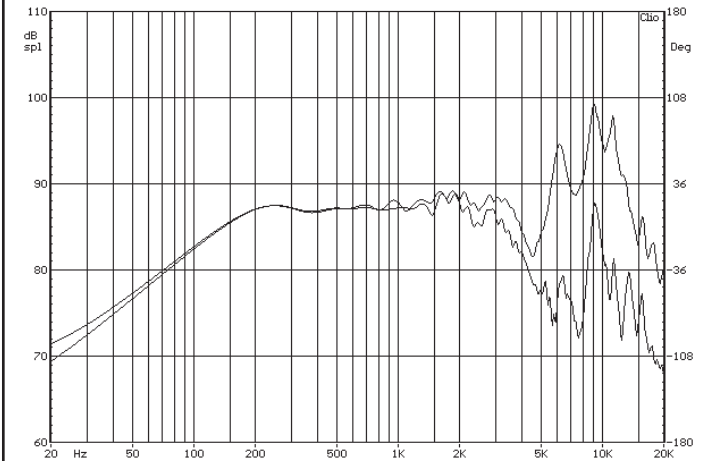
Parameters

Impedance (Ω)	8
Re (Ω)	6.0
Le (mH) @ 1 kHz	0.76
Fs (Hz)	83.8
Qms	2.52
Qes	0.56
Qts	0.46
Mms (g)	7.38
Cms (mm/N)	1.18
Sd (cm ²)	84.9
Vd (liters)	34.0
BL (Tm)	5.18
VAS (liters)	12.0
XMAX (mm)	4
VC Diameter (mm)	25
SPL (dB@1W/1m)	88.0
RMS Power Handling (w)	40
Usable Frequency Range (Hz)	45 - 3500



Note: All dimensions in mm.

Frequency Response



Note: Due to testing limitations, response below 200 Hz is not an actual representation.

Impedance/Phase

