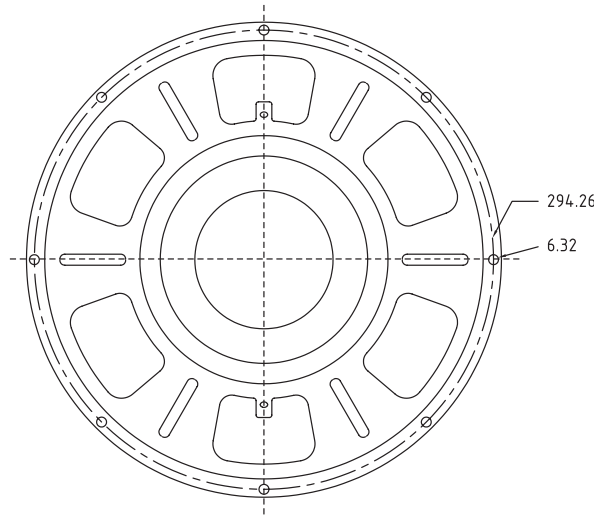
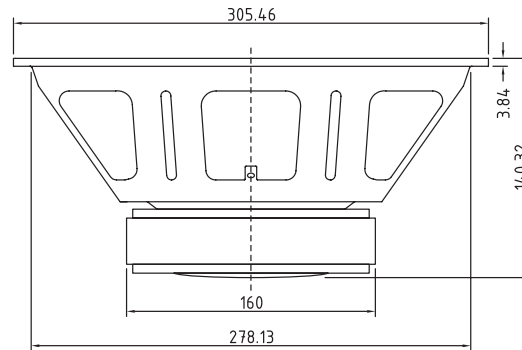


QT305-4**12" Quatro Subwoofer 4 Ohm****QT305-4****12" Quatro Subwoofer 4 Ohm****Features**

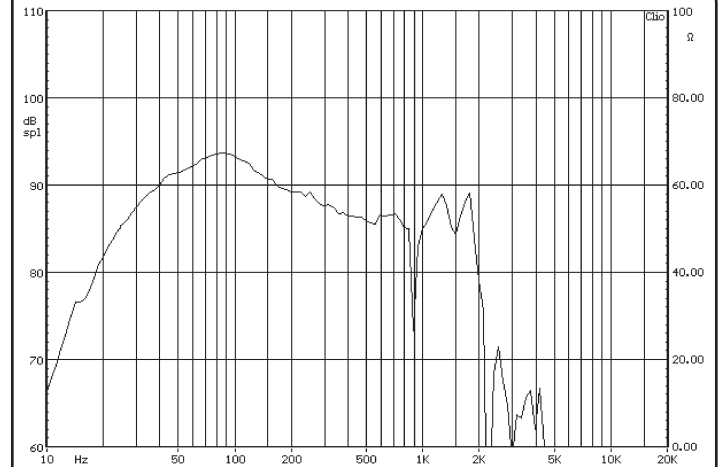
- 12" Kevlar impregnated paper cone
- 4-layer 4 ohm voice coil
- Rubber surround
- Vented pole piece
- High excursion
- High power handling
- Works great in small sealed enclosures
- Made in the USA

Parameters

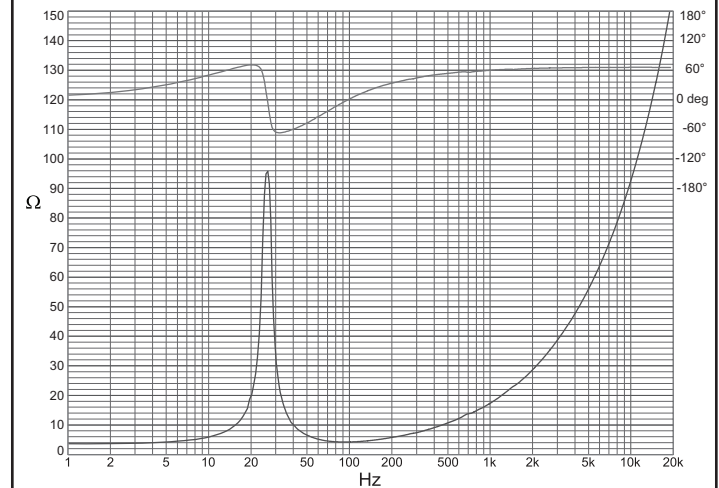
Impedance (Ω)	4
Re (Ω)	3.5
Le (mH) @ 1 kHz	1.95
Fs (Hz)	26.2
Qms	9.91
Qes	0.39
Qts	0.37
Mms (g)	110.5
Cms (mm/N)	0.33
Sd (cm ²)	514.7
Vd (liters)	506.5
BL (Tm)	13.02
VAS (liters)	123.9
XMAX (mm)	9.84
VC Diameter (mm)	64
SPL (dB@1W/1m)	90.6
RMS Power Handling (w)	250
Usable Frequency Range (Hz)	25 - 200



Note: All dimensions in mm.

Frequency Response

Note: Due to testing limitations, response below 200 Hz is not an actual representation.

Impedance/Phase

daytonaudio.com

© Dayton Audio