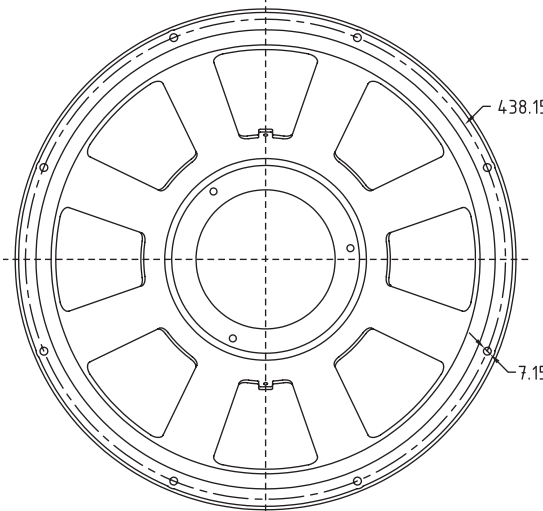
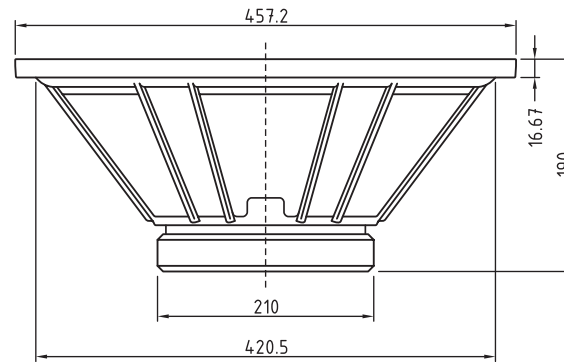


Features

- 18" paper cone
- Treated cloth accordion surround and flat spider suspension
- Cast aluminum frame
- Large 4" Kapton voice coil
- Long excursion design
- Gold plated terminals
- Optimized for vented and horn loaded enclosures
- Made in the USA

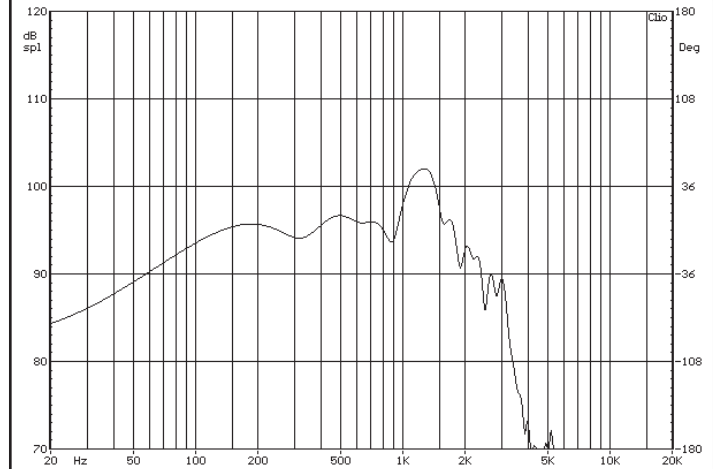
Parameters

Impedance (Ω)	8
Re (Ω)	6.7
Le (mH) @ 1 kHz	2.73
Fs (Hz)	28.3
Qms	6.09
Qes	0.39
Qts	0.36
Mms (g)	144.2
Cms (mm/N)	0.22
Sd (cm ²)	1188.5
Vd (liters)	713.1
BL (Tm)	20.18
VAS (liters)	435.9
XMAX (mm)	6
VC Diameter (mm)	102
SPL (dB@1W/1m)	97.0
RMS Power Handling (w)	500
Usable Frequency Range (Hz)	25 - 1500



Note: All dimensions in mm.

Frequency Response



Note: Due to testing limitations, response below 200 Hz is not an actual representation.

Impedance/Phase

