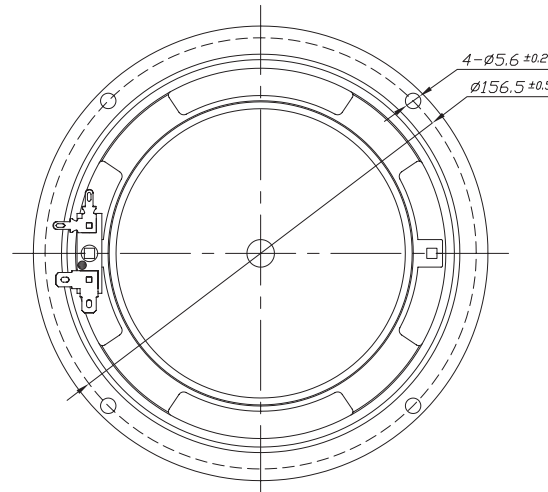
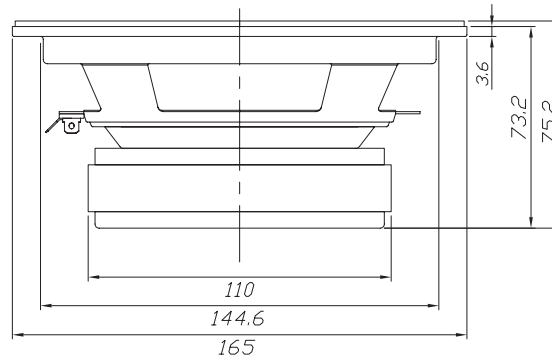


Features

- 6" paper cone
- 1-1/2" voice coil
- Treated cloth surround
- Vented pole piece
- High power motor structure
- High sensitivity design
- Ideal for midrange applications

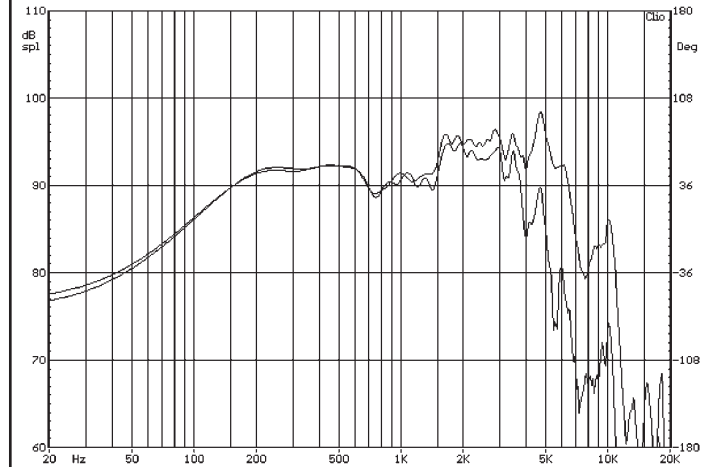
Parameters

Impedance (Ω)	8
Re (Ω)	5.2
Le (mH) @ 1 kHz	0.61
Fs (Hz)	87.5
Qms	2.92
Qes	0.66
Qts	0.54
Mms (g)	9.19
Cms (mm/N)	0.36
Sd (cm ²)	113.1
Vd (liters)	
BL (Tm)	6.29
VAS (liters)	7.9
XMAX (mm)	
VC Diameter (mm)	35
SPL (dB@1W/1m)	92.9
RMS Power Handling (w)	75
Usable Frequency Range (Hz)	80 - 5000



Note: All dimensions in mm.

Frequency Response



Note: Due to testing limitations, response below 200 Hz is not an actual representation.

Impedance/Phase

