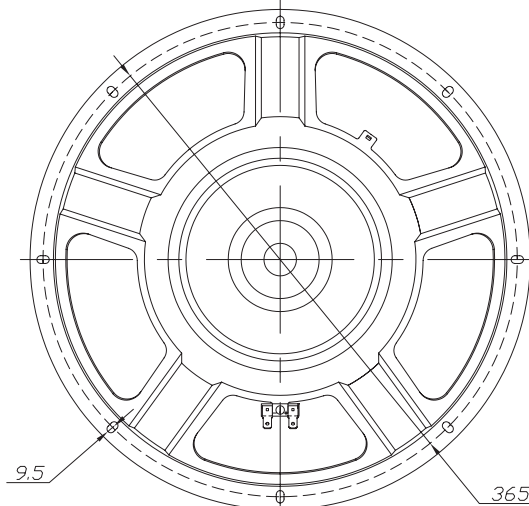
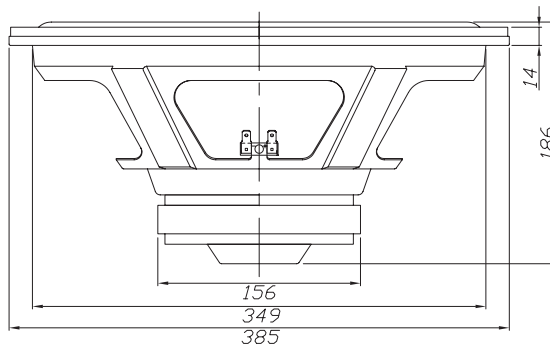


Features

- 15" polymer laminate non-pressed paper cone
- 2" 4-layer high temperature voice coil
- Extended bump plate
- Rubber surround
- Vented pole piece

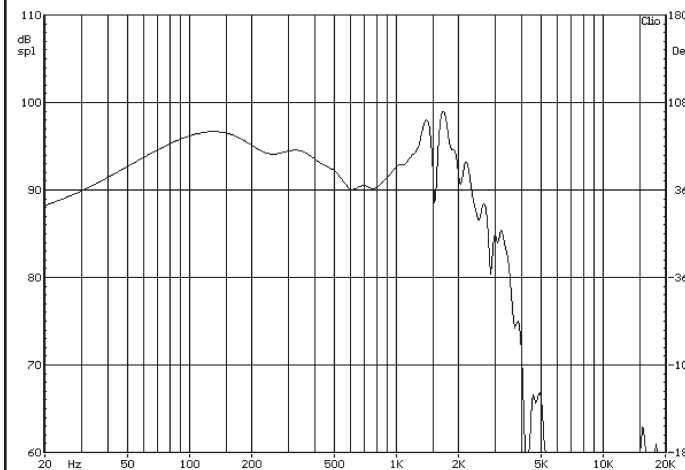
Parameters

| | |
|-----------------------------|----------|
| Impedance (Ω) | 4 |
| Re (Ω) | 3.1 |
| Le (mH) @ 1 kHz | 2.32 |
| Fs (Hz) | 22.9 |
| Qms | 3.46 |
| Qes | 0.59 |
| Qts | 0.50 |
| Mms (g) | 195.1 |
| Cms (mm/N) | 0.25 |
| Sd (cm ²) | 819.4 |
| Vd (liters) | 688.3 |
| BL (Tm) | 12.55 |
| VAS (liters) | 233.9 |
| XMAX (mm) | 8.4 |
| VC Diameter (mm) | 51 |
| SPL (dB@1W/1m) | 89.0 |
| RMS Power Handling (w) | 250 |
| Usable Frequency Range (Hz) | 20 - 500 |



Note: All dimensions in mm.

Frequency Response



Note: Due to testing limitations, response below 200 Hz is not an actual representation.

Impedance/Phase

