

**DC130BS-4**

**5-1/4" Classic Shielded Woofer 4 Ohm**

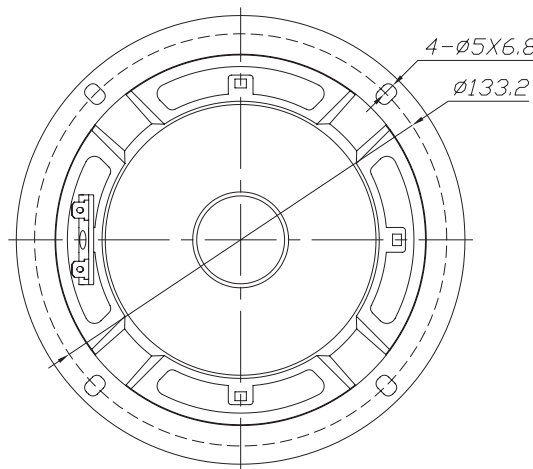
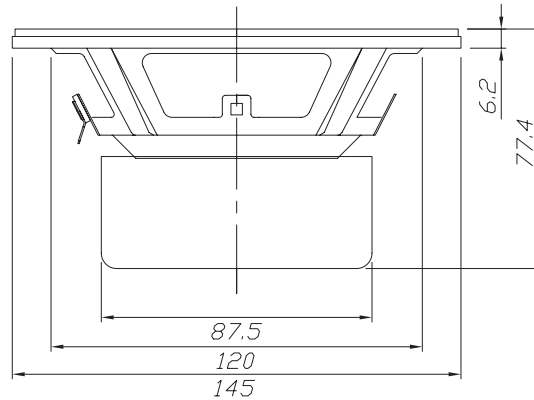


**Features**

- 5-1/4" polymer laminate non-pressed paper cone
- Fully shielded magnet structure
- Rubber suspension
- High temperature aluminum 4 ohm voice coil
- Coated cloth dust cap
- Vented pole piece

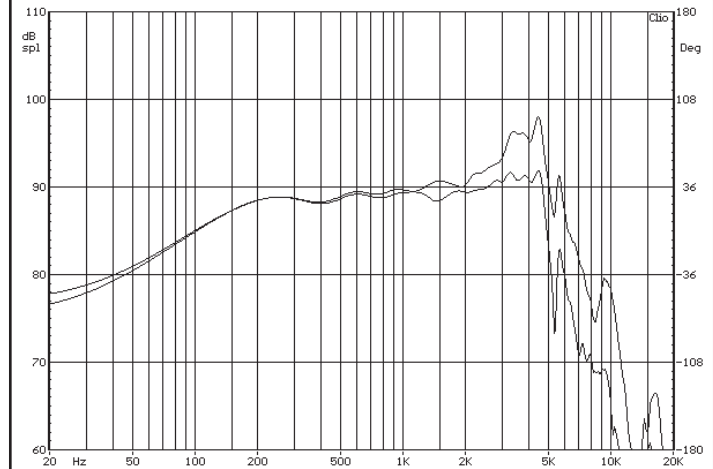
**Parameters**

Impedance ( $\Omega$ )	4
Re ( $\Omega$ )	3.5
Le (mH) @ 1 kHz	0.61
Fs (Hz)	58.5
Qms	2.18
Qes	0.52
Qts	0.42
Mms (g)	7.92
Cms (mm/N)	0.93
Sd (cm <sup>2</sup> )	93.3
Vd (liters)	14.0
BL (Tm)	4.47
VAS (liters)	11.4
XMAX (mm)	1.5
VC Diameter (mm)	25
SPL (dB@1W/1m)	88.8
RMS Power Handling (w)	30
Usable Frequency Range (Hz)	45 - 4000



Note: All dimensions in mm.

**Frequency Response**



Note: Due to testing limitations, response below 200 Hz is not an actual representation.

**Impedance/Phase**

