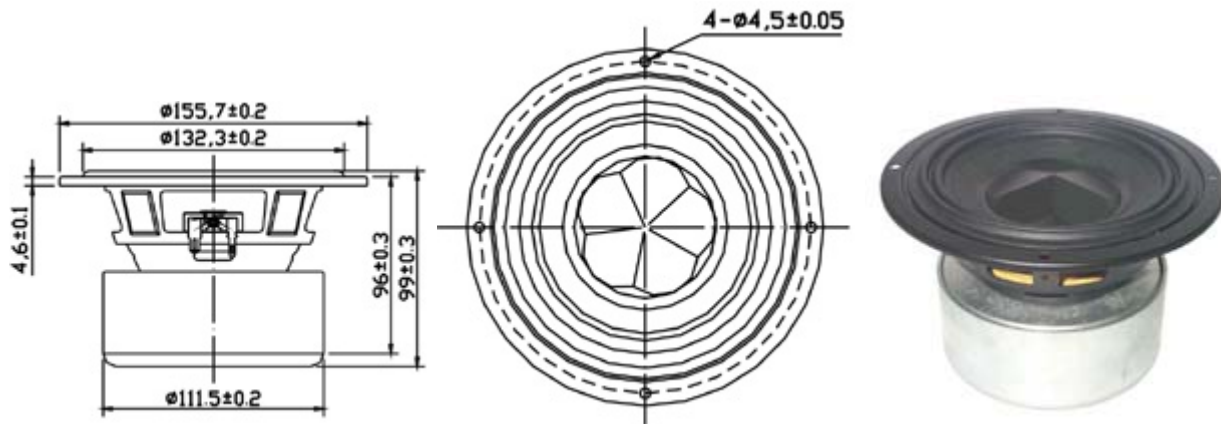


PA_{SERIES}

W5-876SD



5" PAPER WOOFER

- LONG THROW HIGH POWER LOADING DESIGN
- EXTREMELY LINEAR EXCURSION DESIGN
- PAPER CONE WITH TWIN ROLL RUBBER SURROUND
- STAMPED STEEL BASKET, CONEX SPIDER
- SUITABLE FOR SUBWOOFER APPLICATION
- VENTED POLE PIECE
- MAGNETICALLY SHIELDED

DIAPHRAGM MTL	Paper
SURROUND MTL	Twin Roll Rubber
NOMINAL IMPEDANCE	8 Ω
DCR IMPEDANCE	6.4 Ω
SENSITIVITY 1W/1m	86 dB
FREQUENCY RESPONSE	50-2K Hz
FREE AIR RESONANCE	50 Hz
VOICE COIL DIAMETER	32 mm
AIR GAP HEIGHT	6 mm
RATED POWER INPUT	40 W
MAXIMUM POWER INPUT	80 W
FORCE FACTOR, BL	9.92 TM
MAGNET WEIGHT (19.1oz)	540 g
MOVING MASS	17 g
FERRO FLUID ENHANCED	No
SUSPENSION COMPL.	568MN ⁻¹
EFFEC.PISTON AREA	0.0094m ²
Levc	2.09mH
Zo	51.12ohm
X-max	5 mm
Vas	7.13 Litr.
Qts	0.33
Qms	3.90



TB SPEAKERS
 VOICE: 886.2.26570282 FAX: 886.2.26580166
 E-MAIL: info@tb-speaker.com

Qes

0.36

CLOSE