



Wired Home WH-VIRS100 IR Volume Control

Features and characteristics

1. Infrared stereo volume control with selectable impedance matching- 1x, 2x, 4x, 8x
2. Power handling: 100 watts per channel RMS
3. 9 ~ 12 step Volume Control
4. Removable connectors accommodate up to 14 – 22 gauge wire

Instructions- Volume Control

1. Remove about 1/4" of insulation from the ends of all wires to be connected to the volume control. Twist the exposed strands to minimize the occurrence of stray wire shorting (tinning with a soldering iron is preferred).
2. Remove the labeled Amplifier (IN)put connectors and the labeled Speaker (OUT)put connectors from the circuit board and loosen the set screws.
3. Connect the leads from the AMPLIFIER to the connector labeled IN, with the LEFT L(+) and L(-) and RIGHT R(+) and R (-) wires, repeat for the SPEAKERS. Tighten the set screws and attach the connectors to the PCB.

Instructions- IR Section

1. Loosen the set screws of the connector; insert the appropriate wires from

WH-IRH, then tighten the set screws.

- V+** 12 VDC power
- G** Ground
- IR** IR signal
- ST** Status 12 VDC power

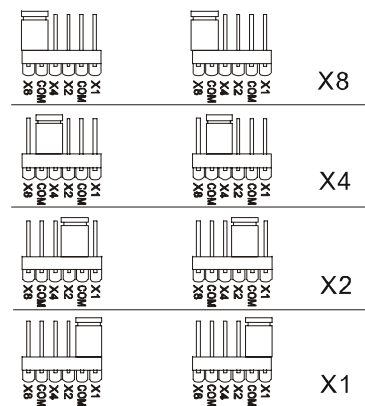
2. Mount volume control into a low voltage box.
3. Attach faceplate and sliding volume knob.

Volume set at maximum

Impedance jumper settings for 8Ω load at amplifier				
SPEAKER OHMS (Ω)	1X	2X	4X	8X
8	1 PAIR	2 PAIR	4 PAIR	8 PAIR
4	-	1 PAIR	2 PAIR	4 PAIR

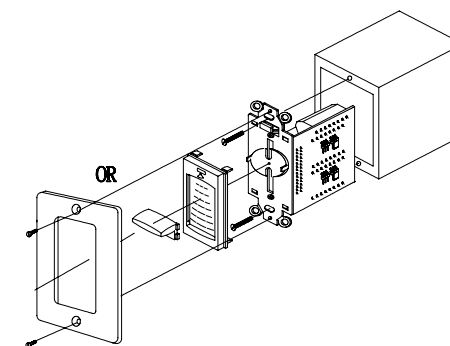
Impedance jumper settings for 4Ω load at amplifier				
SPEAKER OHMS (Ω)	1X	2X	4X	8X
8	2 PAIR	4 PAIR	8 PAIR	16 PAIR
4	1 PAIR	2 PAIR	4 PAIR	8 PAIR

Jumper settings



Assembly diagram

Mounting depth : 2.48" (63mm) from finished wall.

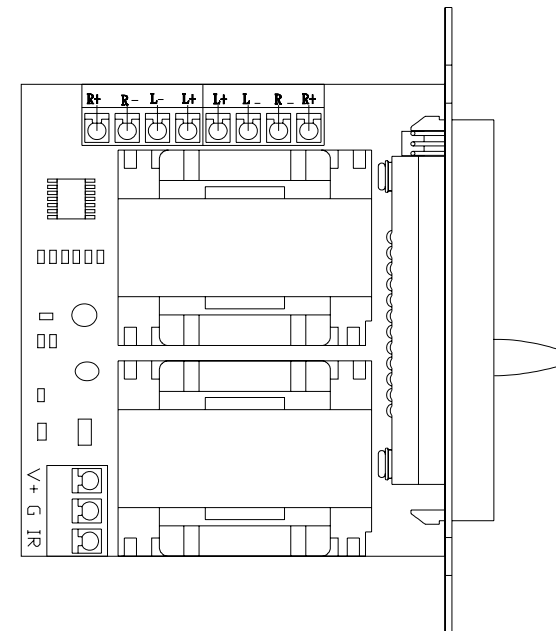
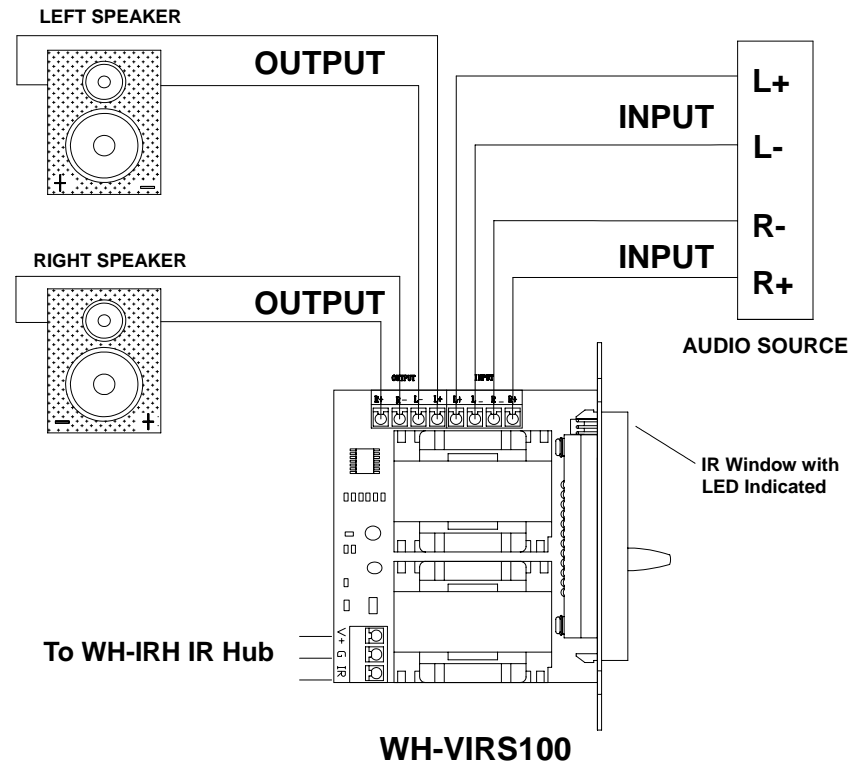




Impedance Matching Infrared Volume Control

WH-VIRS100

Installation Manual



Caution

Be careful not to allow speaker wire strands to short out against case or other speaker wire.